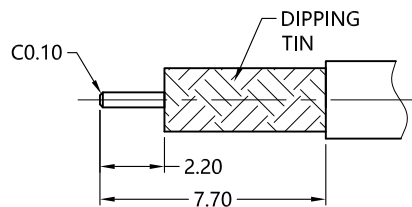


REV	DESCRIPTION	ECN NO	NAME	DATE
0	FIRST EDITION	N/A	YWD	2018-04-16
1	MODIFY STRUCTURE	N/A	HRWEI	2020-09-08

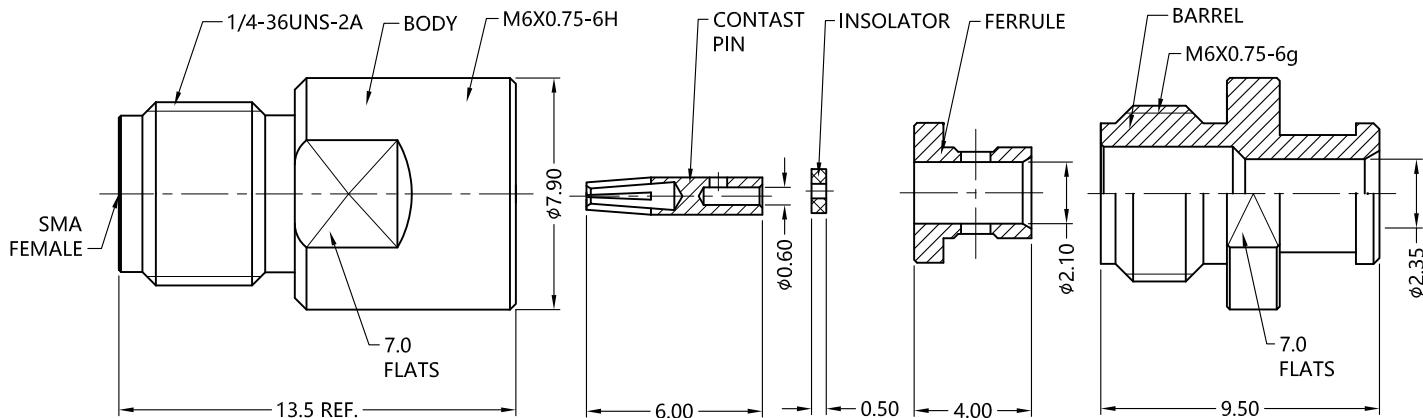


ALL PARTS MUST MEET TO RoHS REQUIREMENTS

REMARKS:  
 1.ADDS SIZE: 6.3mm  
 2.CONTACT PIN TO SOLDER  
 3.FERRULE TO SOLDER



RECOMMENDED CABLE STRIPPING DIM'S



MATERIALS AND PLATING		UNIT: MICRO-INCHES
BODY	STAINLESS STEEL 303Cu	PASSIVATION
CONTACT PIN	Be-Cu C17300	GOLD 50 u"/COPPER
INSULATOR	PEI/PTEF ASTM-D-1710	N/A
FERRULE	BRASS C3604	GOLD 10 u"/NICKEL/COPPER
BARREL	STAINLESS STEEL 303Cu	PASSIVATION

ELECTRICAL CHARACTERISTICS	
IMPEDANCE	50 Ω
VOLTAGE RATING	N/A
FREQUENCY RANGE	DC ~ 26.5 GHz
DIELECTRIC WITHSTANDING VOLTAGE	> 750 V
CONTACT RESISTANCE	CENTER CONTACT
	OUTER CONTACT
INSULATION RESISTANCE	> 5000 MΩ
INSERTION LOSS	< 0.1√F(GHz) dB
RF- LEAKAGE	N/A
VSWR	< 1.15(DC~9 GHz)
	< 1.20(DC~15 GHz)
	< 1.35(DC~26.5GHz)
3RD INTERMODULATION	N/A

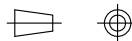
MECHANICAL CHARACTERISTICS	
FORCE TO ENGAGE AND DISENGAGE	N/A
CENTER CONTACT RETENTION FORCE	N/A
RECOMMENDED COUPLING TORQUE	N/A
COUPLING NUT RETENTION FORCE	N/A
DURABILITY	> 500 cycles

ENVIRONMENTAL CHARACTERISTICS	
TEMPERATURE RANGE	-40 °C ~ +125 °C

**\*CUSTOMER OUTLINE DRAWING**

UNLESS OTHERWISE SPECIFIED:  
 1) C0.15 MAX;  
 2) REMOVE ALL BURRS;  
 3) SURFACE ROUGHNESS : Ra1.6;  
 4) UNITS:mm;  
 5) DIMENSIONS TOLERANCES  
 DECIMALS .x ±0.3 .xx ±0.2 .xxx±0.1  
 ANGLES ±5°

THIRD ANGLE PROJECTION



APPROVED:

CUSTOMER P/N:

CHECKED:

SCALE:

4:1

DRAWING:

DATE: 2020-09-08

COMPANY WEBSITE: www.slkcorp.com



TITLE: SMA FEMALE S/T CLAMP FOR HF-090 CABLE,50Ω

DRAWING NO: 5MAF15S-A570

CUSTOMER OUTLINE DRAWING