
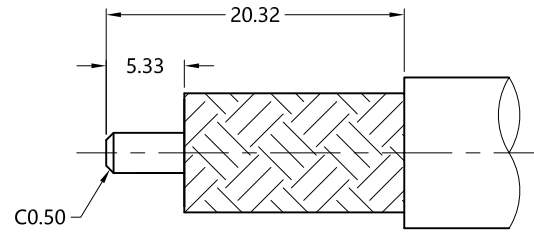
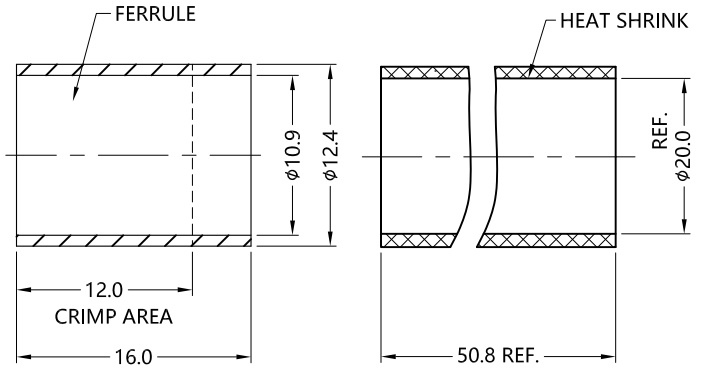
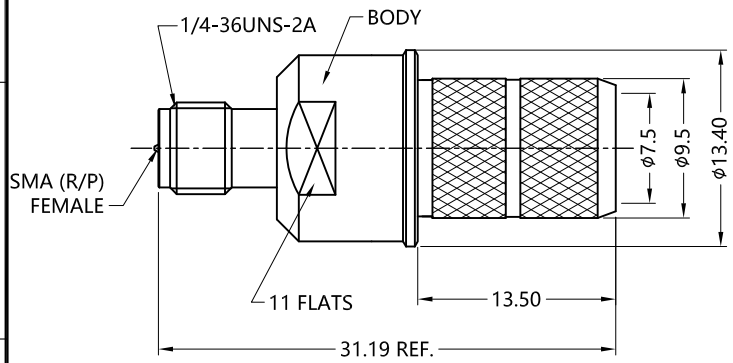


1	2	3	4	5	6
REV 0	DESCRIPTION FIRST EDITION	ECN NO N/A	NAME LZC	DATE 2021-09-14	 ALL PARTS MUST MEET TO RoHS REQUIREMENTS

REMARKS:  
 1. CRIMPED FERRULE HEX. CRIMP SIZE .429"  
 2. CONTACT PIN TO CAPTIVE  
 3. ADDS SIZE: 13.7mm



RECOMMENDED  
CABLE STRIPPING DIM'S

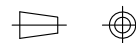


MATERIALS AND PLATING		UNIT: MICRO-INCHES	ELECTRICAL CHARACTERISTICS	
BODY	BRASS C3604	ALBALOY 80~180 u"/COPPER	IMPEDANCE	50 Ω
CONTACT PIN	BERYLLIUM COPPER	GOLD 10 u"/NICKEL/COPPER	VOLTAGE RATING	175 V(rms)
INSULATOR	PTFE ASTM-D-1710	N/A	FREQUENCY RANGE	DC~6 GHz
FERRULE	COPPER	ALBALOY 80~180 u"/COPPER	DIELECTRIC WITHSTANDING VOLTAGE	>500 V
			CONTACT RESISTANCE	CENTER CONTACT <3.0 mΩ
				OUTER CONTACT <2.0 mΩ
			INSULATION RESISTANCE	>5000 MΩ
			INSERTION LOSS	N/A
			VSWR	<1.35
			3RD INTERMODULATION	N/A
MECHANICAL CHARACTERISTICS			ENVIRONMENTAL CHARACTERISTICS	
FORCE TO ENGAGE AND DISENGAGE		N/A	TEMPERATURE RANGE	
CENTER CONTACT RETENTION FORCE		N/A	-40 °C~+125 °C	
RECOMMENDED COUPLING TORQUE		N/A		
COUPLING NUT RETENTION FORCE		N/A		
DURABILITY		>500 cycles		

\* CUSTOMER OUTLINE DRAWING

UNLESS OTHERWISE SPECIFIED:  
 1) C0.15 MAX;  
 2) REMOVE ALL BURRS;  
 3) SURFACE ROUGHNESS : Ra1.6;  
 4) UNITS:mm;  
 5) DIMENSIONS TOLERANCES  
 DECIMALS .x ±0.3 .xx ±0.2 .xxx±0.1  
 ANGLES ±5°

THIRD ANGLE PROJECTION



APPROVED:

CUSTOMER P/N:

CHECKED:

SCALE:

2:1

DRAWING:

DATE: 2021-09-14

COMPANY WEBSITE: www.slkcorp.com



TITLE: SMA FEMALE (R/P) S/T CRIMP FOR LMR-400 CABLE,50Ω

DRAWING NO: 5RMAF11S-A11-002

CUSTOMER OUTLINE DRAWING