
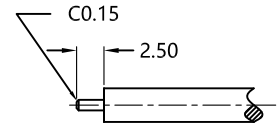
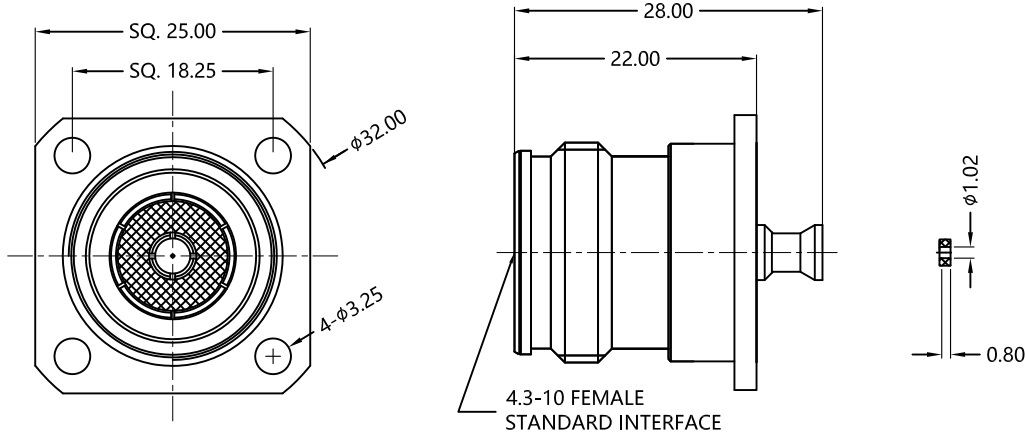


REV.	DESCRIPTION	ECN NO.	NAME	DATE	 ALL PARTS MUST MEET TO RoHS REQUIREMENTS
1	UPDATE DRAWING	N/A	YJY	2019-11-26	
2	NEW FRAME	N/A	JING	2020-08-19	

REMARK:
 1. ADDS SIZE:19.6mm
 2. CONTACT PIN TO CAPTIVE



RECOMMENDED CABLE STRIPPING DIM'S



MATERIALS AND PLATING		UNIT: MICRO-INCHES
PART NAME	MATERIALS	PLATING
BODY	BRASS C3604	ALBALOY 100u"/COPPER
INSULATOR	PTFE ASTM-D-1710	N/A
CONTACT PIN	Be-Cu	SIVER 200u"/COPPER
OUT CONDUCT	PHOSPHOR BRONZE	ALBALOY 100u"/COPPER

ELECTRICAL CHARACTERISTICS		
IMPEDANCE	50 Ω	
VOLTAGE RATING	500 V(rms)	
FREQUENCY RANGE	0 ~ 4 GHz	
DIELECTRIC WITHSTANDING VOLTAGE	>1500 V	
CONTACT RESISTANCE	CENTER CONTACT	<1.0 mΩ
	OUTER CONTACT	<0.25 mΩ
INSULATION RESISTANCE	>5000 MΩ	
INSERTION LOSS	0.05x√F GHz dB	
RF-LEAKAGE	N/A	
VSWR	<1.08 @ DC-3GHz	
	<1.12 @ DC-4GHz	

MECHANICAL CHARACTERISTICS	
FORCE TO ENGAGE AND DISENGAGE	N/A
CENTER CONTACT RETENTION FORCE	>32 N
RECOMMENDED COUPLING TORQUE	N/A
COUPLING NUT RETENTION FORCE	N/A
DURABILITY	>500 cycles

ENVIRONMENTAL PARAMETER	
TEMPERATURE RANGE	-55 °C~+125 °C

*** CUSTOMER OUTLINE DRAWING**

UNLESS OTHERWISE SPECIFIED:
 1) EDGES : C0.15 MAX ;
 2) REMOVE ALL BURRS ;
 3) SURFACE ROUGHNESS : Ra1.6 ;
 4) UNITS : mm ;
 5) DIMENSIONS TOLERANCES
 DECIMALS : .x ±0.3 .xx ±0.2 .xxx±0.1;
 ANGLES : ± 5°.

THIRD ANGLE PROJECTION



APPROVED :

CUSTOMER P/N :

CHECKED :

SCALE :

3 : 2

DRAWING :

JING

DATE : 2020-08-19

PAGE : 1/1



TITLE : 4.3-10 FEMALE S/T FOR .86" CABLE, 50Ω

DRAWING NO. :

5SDF15S-S01

COMPANY WEBSITE : www.slkcorp.com

CUSTOMER OUTLINE DRAWING