
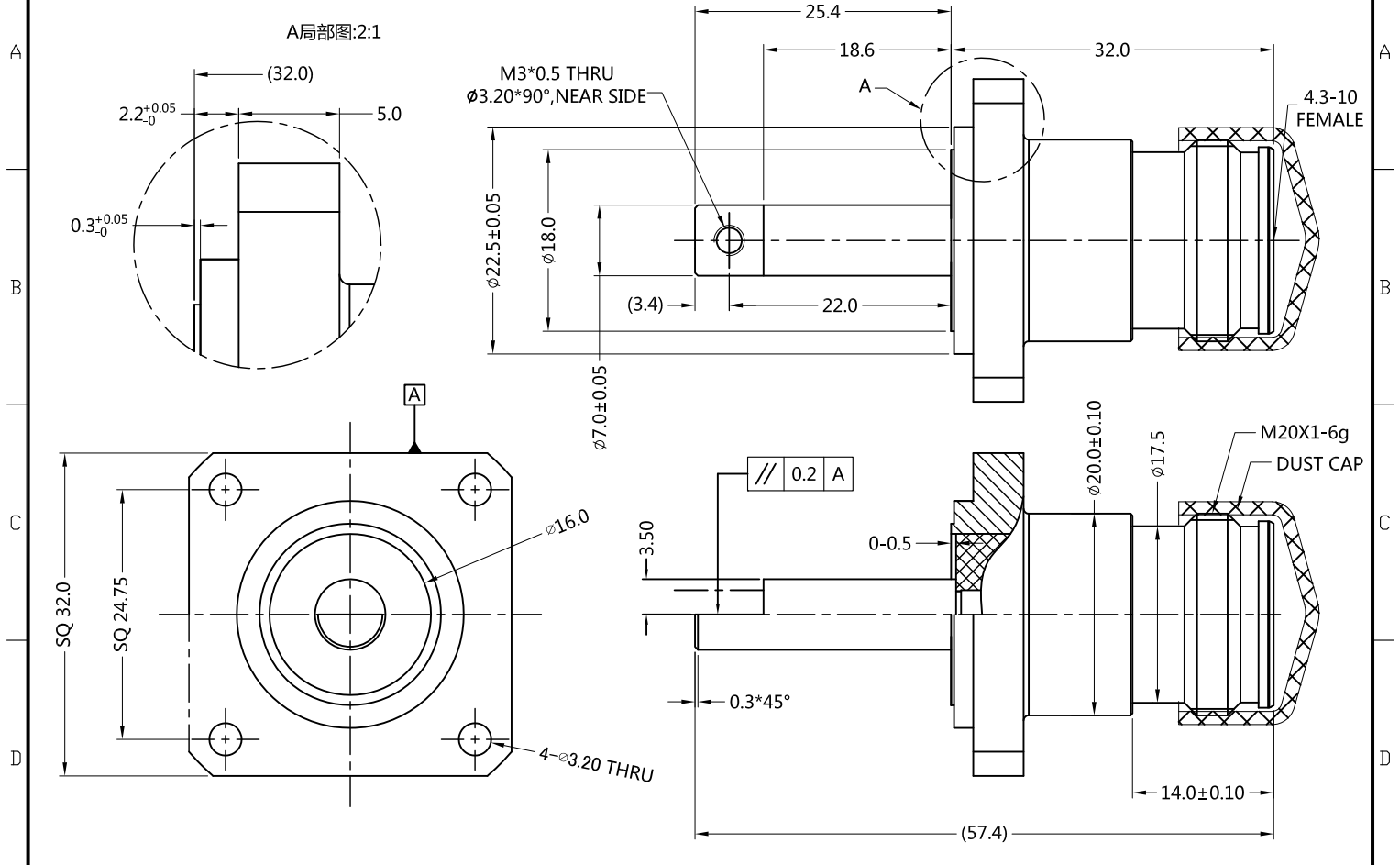


|     |               |        |      |            |   |
|-----|---------------|--------|------|------------|---|
| REV | DESCRIPTION   | ECN NO | NAME | DATE       |  ALL PARTS MUST MEET TO RoHS REQUIREMENTS |
| 0   | FIRST EDITION | N/A    | JOY  | 2015-01-09 |   |
| 1   | NEW FRAME     | N/A    | LW   | 2020-07-14 |   |




| MATERIALS AND PLATING |                    |                      | ELECTRICAL CHARACTERISTICS      |            |
|-----------------------|--------------------|----------------------|---------------------------------|------------|
| UNIT: MICRO-INCHES    |                    |                      |                                 |            |
| BODY                  | NON-MAGNETIC BRASS | ALBALOY 80 u"/COPPER | IMPEDANCE                       | 50 Ω       |
| CONTACT PIN           | Be-Cu C17300       | SILVER 200 u"/COPPER | VOLTAGE RATING                  | 250 V(rms) |
| INSULATOR             | PTFE ASTM-D-1710   | N/A                  | FREQUENCY RANGE                 | 0~6 GHz    |
| OUTER CONTACTS        | PHOSPHOR BRONZE    | SILVER 120 u"/COPPER | DIELECTRIC WITHSTANDING VOLTAGE | >750 V     |

|                       |   |         |
|-----------------------|---|---------|
| CONTACT RESISTANCE    | CENTER CONTACT                                  | <1.0 mΩ |
|                       | OUTER CONTACT                                   | <1.0 mΩ |
| INSULATION RESISTANCE | >5000 MΩ  |         |
| INSERTION LOSS        | <0.05√F dB                                      |         |
| VSWR                  | <1.035 @ 0.8 TO 3 GHz                           |         |
| RETURN LOSS           | >36 dB @ DC to 4 GHz<br>>32 dB @ 4 GHz to 6 GHz |         |
| POWER HANDLING        | 500 W @ 2 GHz @90°C                             |         |
| 3RD INTERMODULATION   | 166 dBc MIN.@2x43 dBm<br>160 dBc MIN.@2x46 dBm  |         |

| MECHANICAL CHARACTERISTICS     |             |
|--------------------------------|-------------|
| FORCE TO ENGAGE AND DISENGAGE  | N/A         |
| CENTER CONTACT RETENTION FORCE | >20 N       |
| RECOMMENDED COUPLING TORQUE    | N/A         |
| COUPLING NUT RETENTION FORCE   | N/A         |
| DURABILITY                     | >500 cycles |

| ENVIRONMENTAL CHARACTERISTICS |                |
|-------------------------------|----------------|
| TEMPERATURE RANGE             | -40 °C~+165 °C |

**\* CUSTOMER OUTLINE DRAWING**

|   |                        |                  |   |            |
|---|------------------------|------------------|---|------------|
| UNLESS OTHERWISE SPECIFIED:<br>1) C0.15 MAX;<br>2) REMOVE ALL BURRS;<br>3) SURFACE ROUGHNESS : Ra1.6;<br>4) UNITS:mm;<br>5) DIMENSIONS TOLERANCES<br>DECIMALS .x ±0.3 .xx ±0.2 .xxx±0.1<br>ANGLES ±5° | THIRD ANGLE PROJECTION |                  | <br>TITLE: 4.3-10 FEMALE S/T FOR 4-HOLE FLANGE ,50Ω<br>DRAWING NO: 5SDF85S-P01 |            |
|   | APPROVED:              | CUSTOMER P/N:    |   | -          |
|   | CHECKED:               | SCALE:           |   | 2:3        |
|   | DRAWING:               | DATE:            |   | 2020-07-14 |
|   |                        | COMPANY WEBSITE: | www.slkcorp.com   |            |

CUSTOMER OUTLINE DRAWING