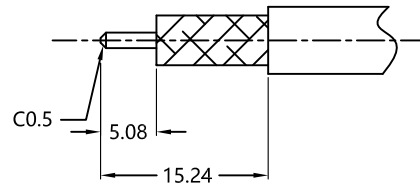


REV.	DESCRIPTION	ECN NO.	NAME	DATE
4	CHANGE THE VSWR	N/A	LHM	2017-06-28
5	NEW FRAME	N/A	JING	2020-08-20

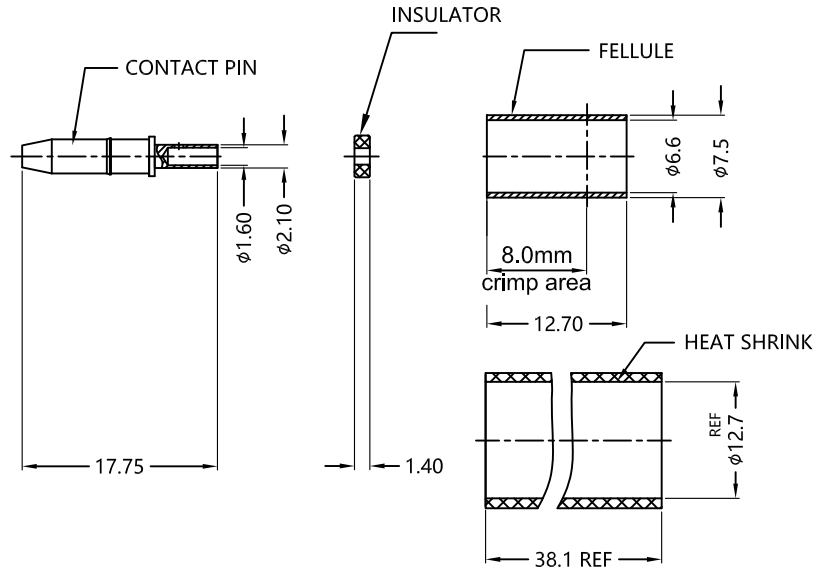
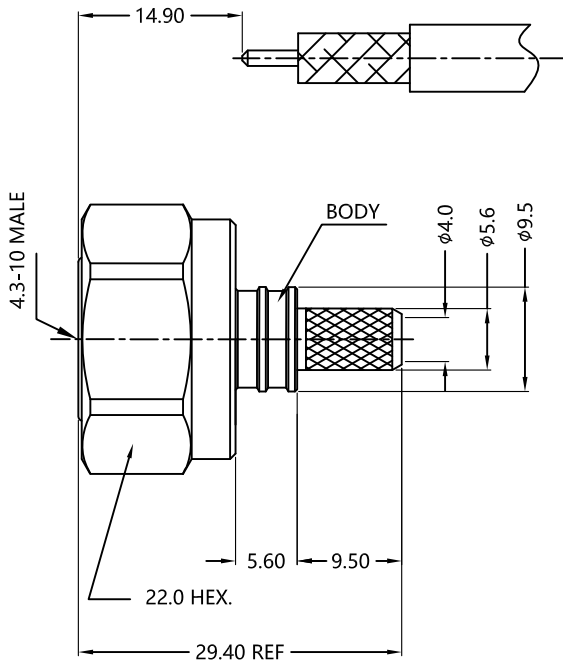


ALL PARTS MUST MEET TO RoHS REQUIREMENTS

1. CRIMPED FERRULE HEX. CRIMP SIZE .256"
2. CONTACT PIN TO SOLDER



RECOMMENDED CABLE STRIPPING DIM'S



MATERIALS AND PLATING		UNIT: MICRO-INCHES
PART NAME	MATERIALS	PLATING
BODY/SHELL	BRASS C3604	ALBALOY 80 u"/COPPER
INSULATOR	PTFE ASTM-D-1710	N/A
CONTACT PIN	BRASS	SILVER 40u"/COPPER
FERRULE	BRASS	ALBALOY 80 u"/COPPER

ELECTRICAL CHARACTERISTICS	
IMPEDANCE	50 Ω
VOLTAGE RATING	500 V(rms)
FREQUENCY RANGE	0 ~ 8 GHz
DIELECTRIC WITHSTANDING VOLTAGE	>1500 V
CONTACT RESISTANCE	CENTER CONTACT
	OUTER CONTACT
INSULATION RESISTANCE	>5000 MΩ
INSERTION LOSS	N/A
RF-LEAKAGE	N/A
VSWR	<1.30 @ 8 GHz
3RD INTERMODULATION	N/A

MECHANICAL CHARACTERISTICS	
FORCE TO ENGAGE AND DISENGAGE	N/A
CENTER CONTACT RETENTION FORCE	N/A
RECOMMENDED COUPLING TORQUE	> 44 in.lbs
COUPLING NUT RETENTION FORCE	>100 lbs
DURABILITY	>500 cycles

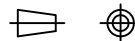
ENVIRONMENTAL PARAMETER	
TEMPERATURE RANGE	-65 °C ~ +85 °C

* CUSTOMER OUTLINE DRAWING

UNLESS OTHERWISE SPECIFIED:

- 1) EDGES : C0.15 MAX ;
- 2) REMOVE ALL BURRS ;
- 3) SURFACE ROUGHNESS : Ra1.6 ;
- 4) UNITS : mm ;
- 5) DIMENSIONS TOLERANCES
 DECIMALS : .x ±0.3 .xx ±0.2 .xxx±0.1;
 ANGLES : ± 5°.

THIRD ANGLE PROJECTION



APPROVED :

CUSTOMER P/N :

CHECKED :

SCALE :

3 : 2

DRAWING :

JING

DATE : 2020-08-20

PAGE : 1/1



TITLE : 4.3-10 MALE S/T CRIMP FOR LMR 240 CABLE, 50Ω

DRAWING NO. :

5SSDM11S-A46

COMPANY WEBSITE : www.slkcorp.com

CUSTOMER OUTLINE DRAWING