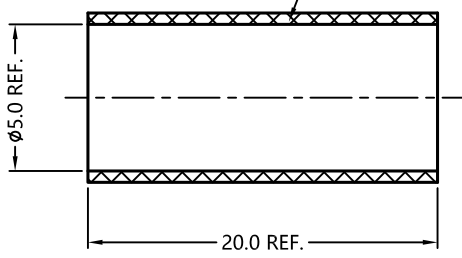
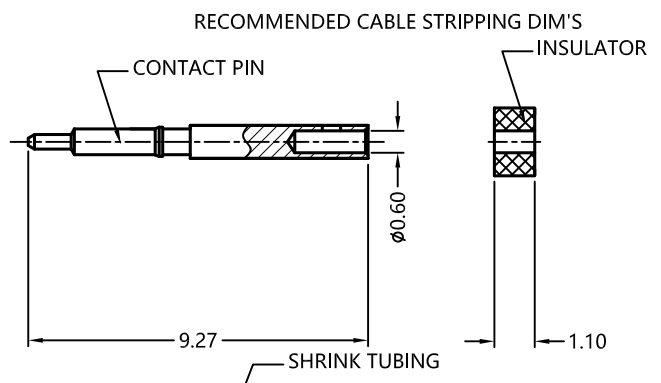
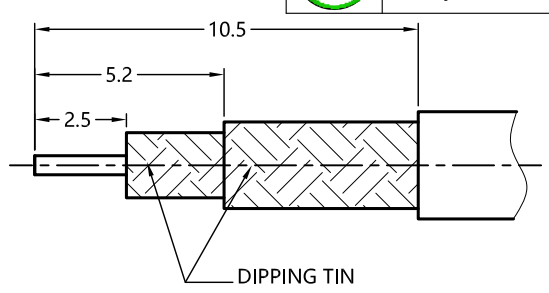
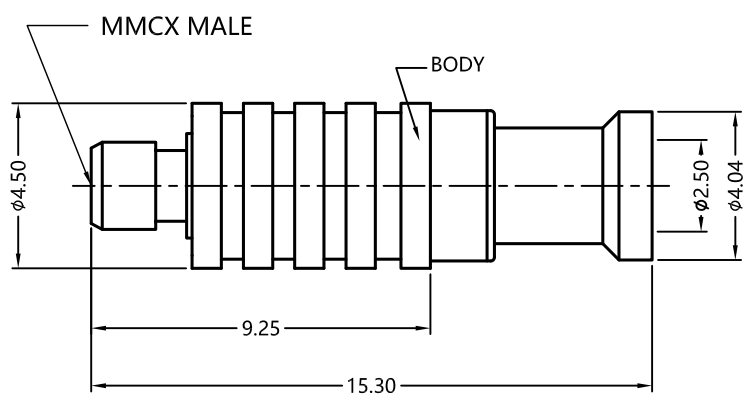


REV	DESCRIPTION	ECN NO	NAME	DATE
0	FIRST EDITION	N/A	LY	2015-04-14
1	NEW FRAME	N/A	Liu	2020-09-18



ALL PARTS MUST MEET TO RoHS REQUIREMENTS

REMARKS:  
 1. CONTACT PIN TO SOLDER  
 2. ADDS SIZE: 8.0mm



MATERIALS AND PLATING		UNIT: MICRO-INCHES
BODY	BRASS C3604	GOLD 10 u" /NICKEL/COPPER
CONTACT PIN	BRASS C3604	GOLD 30 u" /NICKEL/COPPER
INSULATOR	PTFE ASTM-D-1710	N/A

ELECTRICAL CHARACTERISTICS		
IMPEDANCE	50 Ω	
VOLTAGE RATING	175 V(rms)	
FREQUENCY RANGE	0~6 GHz	
DIELECTRIC WITHSTANDING VOLTAGE	>335 V	
CONTACT RESISTANCE	CENTER CONTACT	<5.0 mΩ
	OUTER CONTACT	<2.5 mΩ
INSULATION RESISTANCE	>500 MΩ	
INSERTION LOSS	<0.10 x√F(GHz) dB	
VSWR	<1.30	
3RD INTERMODULATION	N/A	

MECHANICAL CHARACTERISTICS	
ENGAGEMENT FORCE	<4 lbs
DISENGAGE FORCE	1.35~4 lbs
CENTER CONTACT RETENTION FORCE	N/A
DURABILITY	>500 cycles

ENVIRONMENTAL CHARACTERISTICS	
TEMPERATURE RANGE	-40 °C~+125 °C

\* CUSTOMER OUTLINE DRAWING

UNLESS OTHERWISE SPECIFIED:  
 1) C0.15 MAX;  
 2) REMOVE ALL BURRS;  
 3) SURFACE ROUGHNESS : Ra1.6;  
 4) UNITS:mm;  
 5) DIMENSIONS TOLERANCES  
 DECIMALS .x ±0.3 .xx ±0.2 .xxx±0.1  
 ANGLES ±5°

THIRD ANGLE PROJECTION	
APPROVED:	CUSTOMER P/N:
CHECKED:	SCALE:
DRAWING:	DATE: 2020-09-18
COMPANY WEBSITE: www.slkcorp.com	



TITLE: MMCX MALE S/T SOLDER FOR SF-316 CABLE,50Ω  
 DRAWING NO: 5MCM15S-A450

CUSTOMER OUTLINE DRAWING