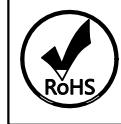
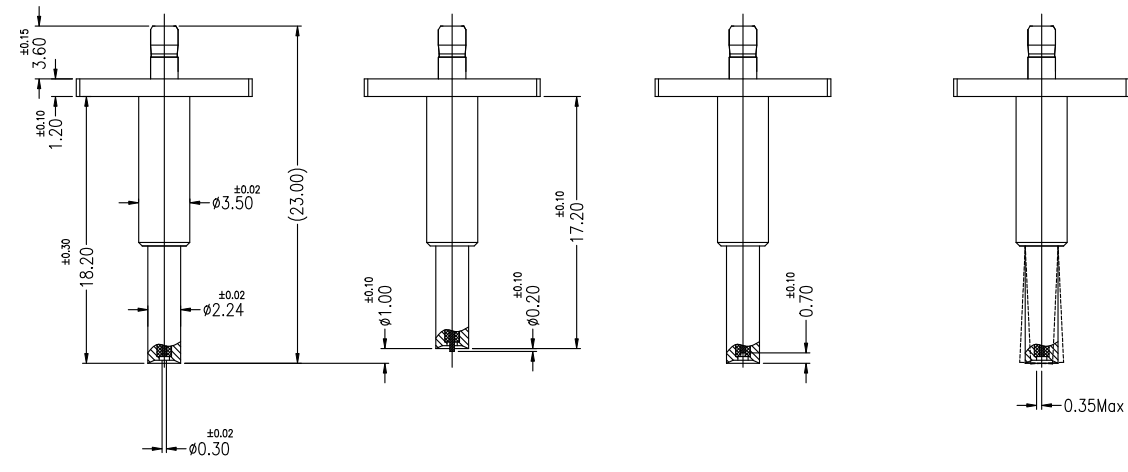
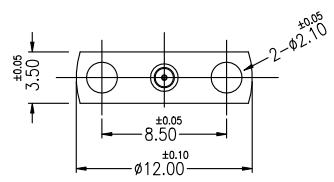


REV.	DESCRIPTION	ECN NO.	NAME	DATE
0	FIRST EDITION	N/A	Flame	2022-08-22



ALL PARTS MUST MEET TO RoHS REQUIREMENTS



MATERIALS AND PLATING		UNIT: MICRO-INCHES
PART NAME	MATERIALS	PLATING
BODY	BRASS C3604	PL.NICKEL/COPPER
INSULATOR	PTFE MIL-P-19468	N/A
CONTACT PIN	BERYLLIUM COPPER	PL. GOLD/NICKEL/COPPER
OUTER	BERYLLIUM COPPER	PL. GOLD/NICKEL/COPPER

ELECTRICAL CHARACTERISTICS		
IMPEDANCE	50 Ω	
VOLTAGE RATING	170 V(rms)	
FREQUENCY RANGE	0 ~ 12 GHz	
DIELECTRIC WITHSTANDING VOLTAGE	> 500 V	
CONTACT RESISTANCE	CENTER CONTACT	< 50.0 mΩ
	OUTER CONTACT	< 20.0 mΩ
INSULATION RESISTANCE	> 500 MΩ	
INSERTION LOSS	< 0.8 dB @ DC~12GHz	
VSWR	< 1.3 @ DC~8 GHz	
	< 1.8 @ 8~12 GHz	

MECHANICAL CHARACTERISTICS	
DURABILITY(ML51)	>500cycles
DURABILITY(VI G CONN)	>20000cycles

ENVIRONMENTAL PARAMETER	
TEMPERATURE RANGE	-40 °C~+125 °C

**\* CUSTOMER OUTLINE DRAWING**

UNLESS OTHERWISE SPECIFIED:  
 1) EDGES : C0.15 MAX ;  
 2) REMOVE ALL BURRS ;  
 3) SURFACE ROUGHNESS : Ra1.6 ;  
 4) UNITS : mm ;  
 5) DIMENSIONS TOLERANCES  
 DECIMALS : .x ±0.3 .xx ±0.2 .xxx±0.1;  
 ANGLES : ± 5°.

THIRD ANGLE PROJECTION		
APPROVED :	CUSTOMER P/N :	-
CHECKED :	SCALE :	2: 1
DRAWING :	DATE :	2022-08-22
Flame	PAGE :	1/1

TITLE :  
ML51 MALE TO RF 6 Adapter  
DRAWING NO. :  
T-5MLM06S-U6M  
COMPANY WEBSITE : www.slkcorp.com