
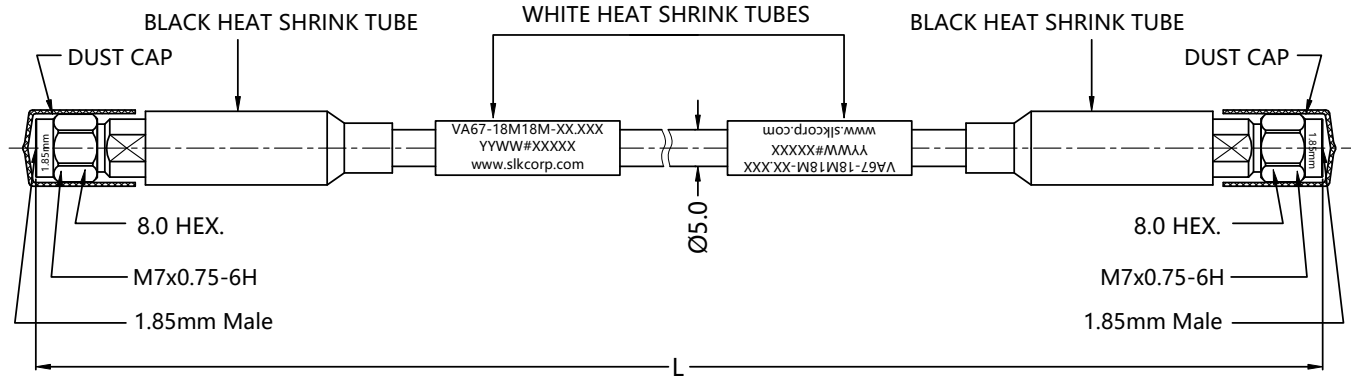


REV.	DESCRIPTION	ECN NO.	NAME	DATE	 ALL PARTS MUST MEET TO RoHS REQUIREMENTS
2	Add Different Length	N/A	YWD	2022-08-18	



7	VA67-18M18M-02.00M	2000 ⁺³⁰ ₀	79.3	<12.9
6	VA67-18M18M-01.50M	1500 ⁺³⁰ ₀	59.6	<9.9
5	VA67-18M18M-04.00F	1220 ⁺³⁰ ₀	48.0	<8.3
4	VA67-18M18M-01.00M	1000 ⁺²⁰ ₀	39.8	<6.9
3	VA67-18M18M-03.00F	914 ⁺²⁰ ₀	36.0	<6.4
2	VA67-18M18M-02.00F	610 ⁺¹⁰ ₀	24.0	<4.6
1	VA67-18M18M-00.50M	500 ⁺¹⁰ ₀	19.9	<3.9
NO.	DRAWING NO.	L(LENGTH,mm)	L(LENGTH,INCH .REF)	INSERTION LOSS(db)

MATERIALS AND PLATING UNIT: MICRO-INCHES			
PART TYPE	PART NAME	MATERIALS	PLATING
1.85mm MALE	BODY/SHELL	STAINLESS STEEL	PASSIVATION
	INSULATOR	PEI	N/A
	CONTACT PIN	BERYLLIUM COPPER	GOLD
CABLE	TEST CABLE		
ARMOR	PTFE STAINLESS STEEL SPRING ARMOR(BLACK+RED)		


ELECTRICAL CHARACTERISTICS	
IMPEDANCE	50 Ω
VOLTAGE RATING	170 V(rms)
FREQUENCY RANGE	DC ~ 67 GHz
DIELECTRIC WITHSTANDING VOLTAGE	>500 V
INSULATION RESISTANCE	>500 MΩ
INSERTION LOSS	See Tables
VSWR	<1.35
RF- LEAKAGE	>90 dB
MECHANICAL PHASE STABILITY	<±5°
MECHANICAL AMPLITUDE STABILITY	<±0.05 dB

MECHANICAL CHARACTERISTICS	
MIN. BENDING RADIUS ,STATIC	25 mm
MIN. BENDING RADIUS ,REPEATED	60 mm
RECOMMENDED COUPLING TORQUE	7.0~8.9 in-lbs
COUPLING NUT RETENTION FORCE	>60 lbs
CABLE RETENTION FORCE	>30 lbs
CRUSH RESISTANCE	40 KN/M
DURABILITY	>500 cycles

ENVIRONMENTAL PARAMETER	
TEMPERATURE RANGE	-40 °C~+85 °C

*** CUSTOMER OUTLINE DRAWING**

UNLESS OTHERWISE SPECIFIED:
 1) EDGES : N/A ;
 2) REMOVE ALL BURRS : N/A ;
 3) SURFACE ROUGHNESS : N/A ;
 4) UNITS : mm ;
 5) DIMENSIONS TOLERANCES
 DECIMALS : .x ±5, .xx ±2, .xxx±1;
 ANGLES : ±10°.

THIRD ANGLE PROJECTION		
APPROVED :	CUSTOMER P/N :	
CHECKED :	SCALE : 1 : 1	
DRAWING :	DATE : 2022-08-18	



TITLE : 1.85mm MALE S/T TO 1.85mm MALE S/T FOR TEST CABLE
 DRAWING NO. : VA67-18M18M-XX.XXX(SEE TABLE)
 COMPANY WEBSITE : www.slkcorp.com