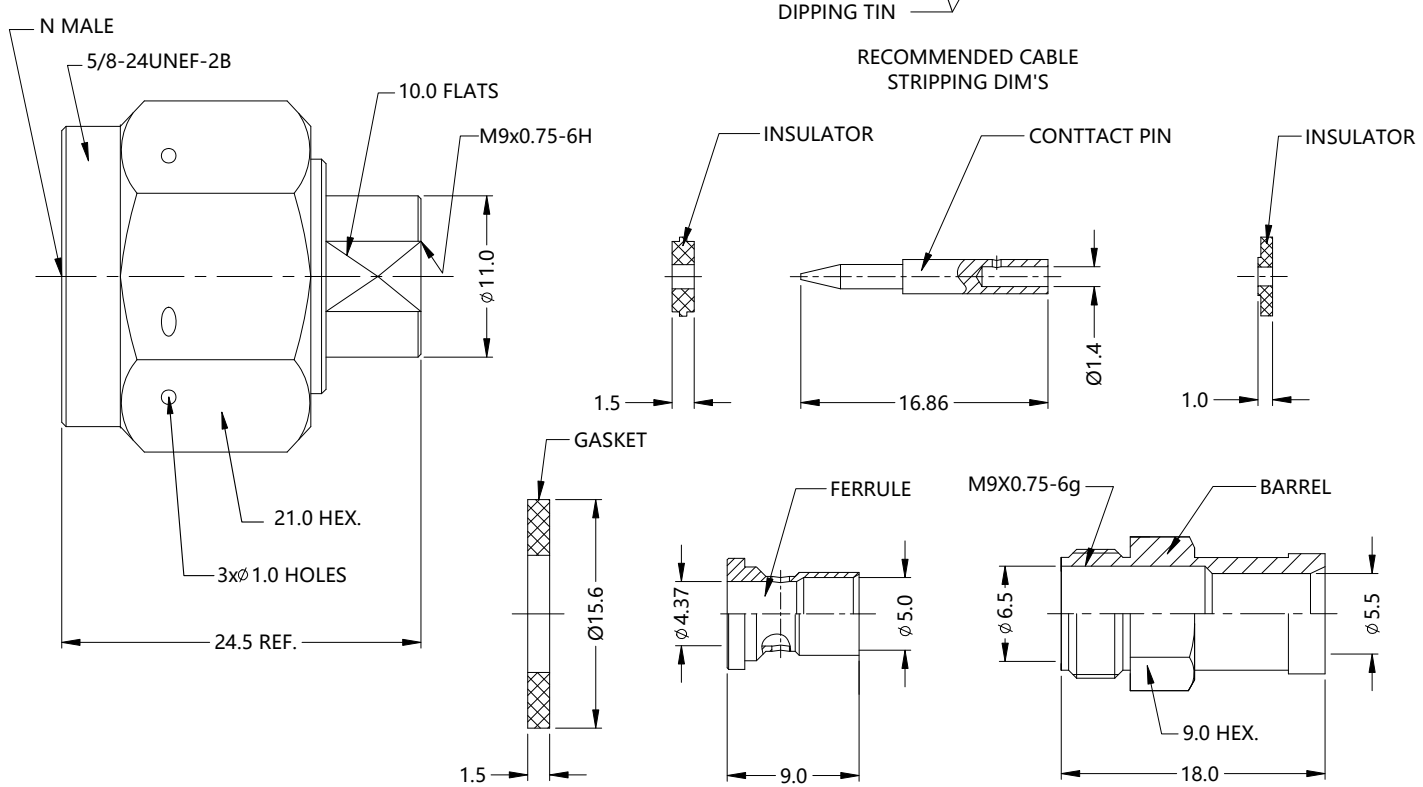


REV.	DESCRIPTION	ECN NO.	NAME	DATE
0	NEW FRAME	N/A	YJY	2022-07-22

RECOMMENDED CABLE STRIPPING DIM'S

ALL PARTS MUST MEET TO RoHS REQUIREMENTS

REMARK:
1.CONTACT PIN & FERRULE TO SOLDER



MATERIALS AND PLATING		UNIT: MICRO-INCHES
PART NAME	MATERIALS	PLATING
BODY/SHELL	STAINLESS STEEL 316F	PASSIVATION
INSULATOR	PTFE ASTM-D-1710	N/A
CONTACT PIN	BRASS C3604	GOLD PL. 50 u"/NICKEL/COPPER
BARREL	STAINLESS STEEL 316F	PASSIVATION
FERRULE	BRASS C3604	GOLD PL. 10 u"/NICKEL/COPPER
GASKET	SILICONE	RED

ELECTRICAL CHARACTERISTICS	
IMPEDANCE	50 Ω
VOLTAGE RATING	335 V(rms)
FREQUENCY RANGE	DC ~ 18 GHz
DIELECTRIC WITHSTANDING VOLTAGE	>1000 V
CONTACT RESISTANCE	CENTER CONTACT <1.5 mΩ
	OUTER CONTACT <0.2 mΩ
INSULATION RESISTANCE	>5000 MΩ
INSERTION LOSS	ACCORDING AS THE CABLE
VSWR	<1.3
3RD INTERMODULATION	N/A

MECHANICAL CHARACTERISTICS	
FORCE TO ENGAGE AND DISENGAGE	N/A
CENTER CONTACT RETENTION FORCE	N/A
RECOMMENDED COUPLING TORQUE	9-14 in-lbs
COUPLING NUT RETENTION FORCE	>100 lbs
DURABILITY	>500 cycles

ENVIRONMENTAL PARAMETER	
TEMPERATURE RANGE	-55 °C~+155 °C
THERMAL SHOCK	MIL- STD 202, Meth. 107,Cond. B
VIBARTION	MIL- STD 202, Meth. 204,Cond. B
SHOCK	MIL- STD 202, Meth. 213,Cond. I

*** CUSTOMER OUTLINE DRAWING**

UNLESS OTHERWISE SPECIFIED:
 1) EDGES : C0.15 MAX ;
 2) REMOVE ALL BURRS ;
 3) SURFACE ROUGHNESS : Ra1.6 ;
 4) UNITS : mm ;
 5) DIMENSIONS TOLERANCES
 DECIMALS : .x ±0.3 .xx ±0.2 .xxx±0.1;
 ANGLES : ± 5°.

THIRD ANGLE PROJECTION	
APPROVED :	CUSTOMER P/N :
CHECKED :	SCALE : 2: 1
DRAWING :	DATE : 2022-07-22
PAGE : 1/1	

TITLE : N MALE S/T CLAMP FOR SFT-205 CABLE,50Ω

DRAWING NO. : 5NCM15S-A207

COMPANY WEBSITE : www.slkcorp.com

CUSTOMER OUTLINE DRAWING