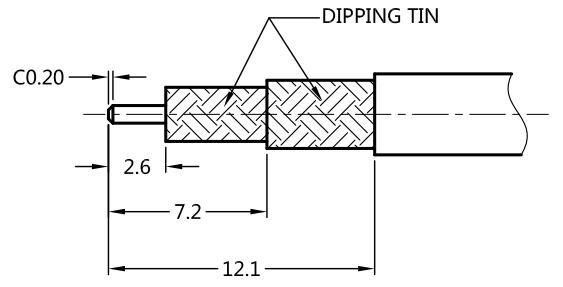


REV	DESCRIPTION	ECN NO	NAME	DATE
0	FIRST EDITION	N/A	WYJ	2016-06-27
1	NEW FRAME	N/A	Liu	2020-06-30

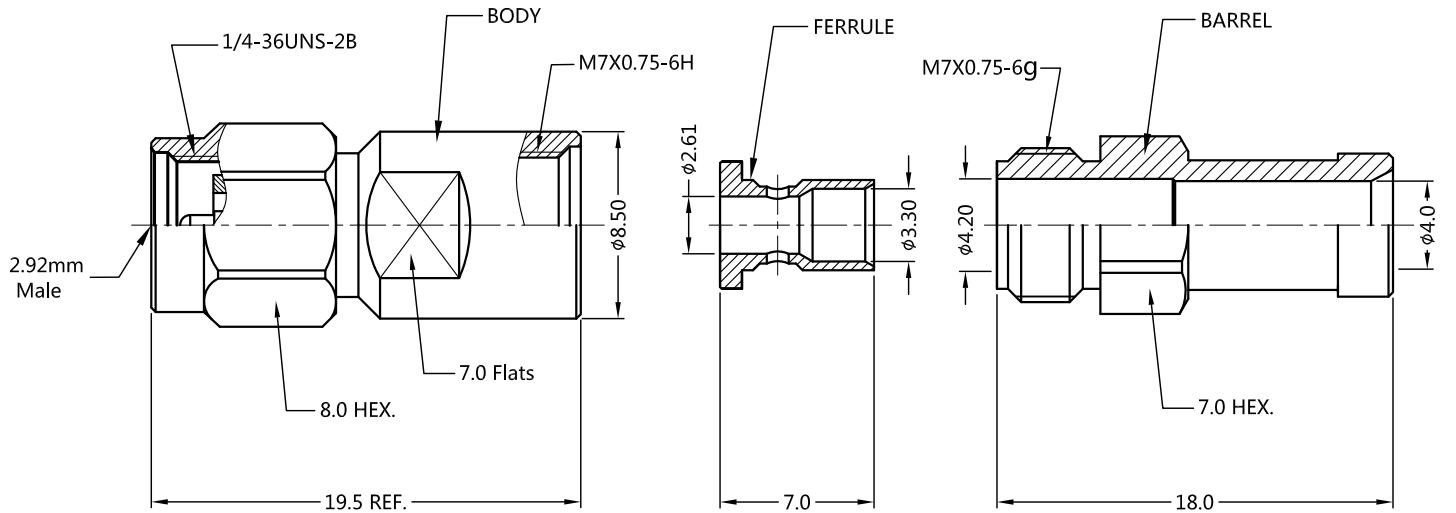


ALL PARTS MUST MEET TO RoHS REQUIREMENTS

REMARKS:
 1.ADDS SIZE:11.7mm
 2.CONTACT PIN TO CAPTIVE
 3.FERRULE TO SOLDER



RECOMMENDED CABLE STRIPPING DIM'S



MATERIALS AND PLATING		UNIT: MICRO-INCHES	ELECTRICAL CHARACTERISTICS	
BODY/SHELL	STAINLESS STEEL	PASSIVATION	IMPEDANCE	50 Ω
CONTACT PIN	Be-Cu C17300	GOLD 50 u"/COPPER	VOLTAGE RATING	175 V(rms)
INSULATOR	PEI	N/A	FREQUENCY RANGE	DC ~ 40 GHz
GASKET	SILICONE	RED	DIELECTRIC WITHSTANDING VOLTAGE	>500 V
FERRULE	BRASS C3604	GOLD 10 u"/NICKEL/COPPER	CONTACT RESISTANCE	CENTER CONTACT <3.0 mΩ
BARREL	STAINLESS STEEL	PASSIVATION		OUTER CONTACT <2.0 mΩ
MECHANICAL CHARACTERISTICS			INSULATION RESISTANCE	>5000 MΩ
			FORCE TO ENGAGE AND DISENGAGE	N/A
			CENTER CONTACT RETENTION FORCE	>6 lbs
			RECOMMENDED COUPLING TORQUE	7~10 in-lbs
ENVIRONMENTAL CHARACTERISTICS			INSERTION LOSS	<0.05√F dB
			COUPLING NUT RETENTION FORCE	>60 lbs
			VSWR	<1.35
			DURABILITY	>500 cycles
			3RD INTERMODULATION	N/A
			TEMPERATURE RANGE	-40 °C~+125 °C
			THERMAL SHOCK	MIL- STD 202, Meth. 107,Cond. B
			VIBRATION	MIL- STD 202, Meth. 204,Cond. D
			SHOCK	MIL- STD 202, Meth. 213,Cond. I

* CUSTOMER OUTLINE DRAWING

UNLESS OTHERWISE SPECIFIED:
 1) C0.15 MAX;
 2) REMOVE ALL BURRS;
 3) SURFACE ROUGHNESS : Ra1.6;
 4) UNITS:mm;
 5) DIMENSIONS TOLERANCES
 DECIMALS .x ±0.3 .xx ±0.2 .xxx±0.1
 ANGLES ±5°

THIRD ANGLE PROJECTION



APPROVED:

CUSTOMER P/N:

CHECKED:

SCALE:

1:1

DRAWING:

DATE: 2020-06-30

COMPANY WEBSITE: www.slkcorp.com



TITLE: 2.92mm MALE S/T CLAMP FOR PT-150 CABLE,50Ω

DRAWING NO:

5P9M15S-A520

CUSTOMER OUTLINE DRAWING