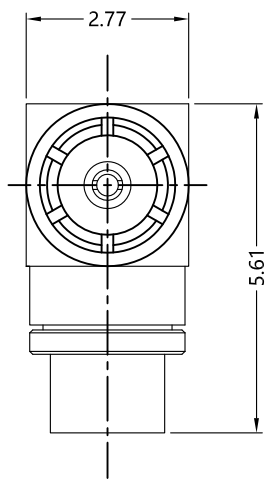
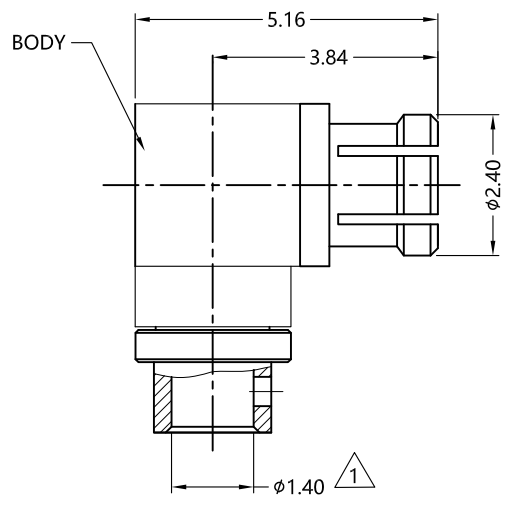
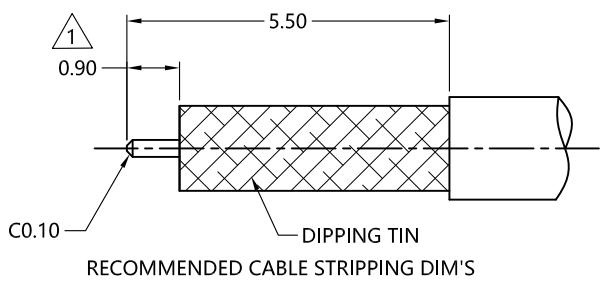


| REV. | DESCRIPTION | ECN NO. | NAME | DATE |
|------|-----------------|---------|-------|------------|
| 0 | FIRST EDITION | N/A | HRWEI | 2020-07-07 |
| 1 | UPDATE THE SIZE | N/A | HRWEI | 2020-08-27 |



ALL PARTS MUST MEET TO RoHS REQUIREMENTS

REMARKS:
 1. CONTACT PIN TO CAPTIVE
 2. BODY TO SOLDER
 3. ADD SIZE: 0.8 mm



| MATERIALS AND PLATING | | UNIT: MICRO-INCHES |
|-----------------------|------------------|--------------------------|
| PART NAME | MATERIALS | PLATING |
| BODY | Be-Cu C17300 | GOLD 15 u"/NICKEL/COPPER |
| INSULATOR | PTFE ASTM-D-1710 | N/A |
| CONTACT PIN | Be-Cu C17300 | GOLD 50 u"/NICKEL/COPPER |

| ELECTRICAL CHARACTERISTICS | |
|---------------------------------|--|
| IMPEDANCE | 50 Ω |
| VOLTAGE RATING | N/A |
| FREQUENCY RANGE | DC ~ 40 GHz |
| DIELECTRIC WITHSTANDING VOLTAGE | >500 V |
| CONTACT RESISTANCE | CENTER CONTACT <math><6.0\text{ m}\Omega</math> |
| | OUTER CONTACT <math><2.0\text{ m}\Omega</math> |
| INSULATION RESISTANCE | >1000 M Ω |
| INSERTION LOSS | <math><0.10\sqrt{F(\text{GHz})}\text{ dB}</math> |
| VSWR | <1.50 |
| 3RD INTERMODULATION | N/A |

| MECHANICAL CHARACTERISTICS | | |
|--------------------------------|-------------|-------------|
| CENTER CONTACT RETENTION FORCE | | >3 lbs |
| Engagement force | Full detent | <4.5 lbs |
| | Smooth bore | <2.5 lbs |
| Disengagement force | Full detent | <6.5 lbs |
| | Smooth bore | <1.5 lbs |
| DURABILITY | Full detent | >100 cycles |
| | Smooth bore | >500 cycles |

| ENVIRONMENTAL PARAMETER | |
|-------------------------|--|
| TEMPERATURE RANGE | -40 $^{\circ}\text{C}$ ~ +125 $^{\circ}\text{C}$ |

* CUSTOMER OUTLINE DRAWING

UNLESS OTHERWISE SPECIFIED:
 1) EDGES : C0.15 MAX ;
 2) REMOVE ALL BURRS ;
 3) SURFACE ROUGHNESS : Ra1.6 ;
 4) UNITS : mm ;
 5) DIMENSIONS TOLERANCES
 DECIMALS : .x ± 0.3 .xx ± 0.2 .xxx ± 0.1 ;
 ANGLES : $\pm 5^{\circ}$.

| | | |
|------------------------|----------------|------------|
| THIRD ANGLE PROJECTION | | |
| APPROVED : | CUSTOMER P/N : | - |
| CHECKED : | SCALE : | 8 : 1 |
| DRAWING : | DATE : | 2020-08-27 |
| PAGE : 1/1 | | |

SLK
 SUPERLINK

TITLE : SSMP FEMALE R/A SOLDER FOR PT-Flex-047 CABLE,50 Ω

DRAWING NO. : 5MPF15R-A405

COMPANY WEBSITE : www.slkcorp.com

CUSTOMER OUTLINE DRAWING