
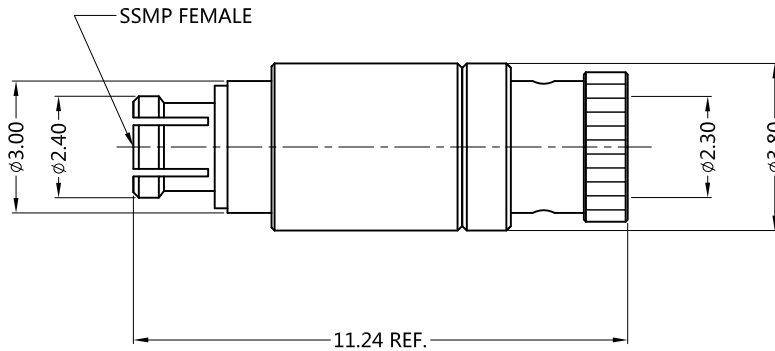
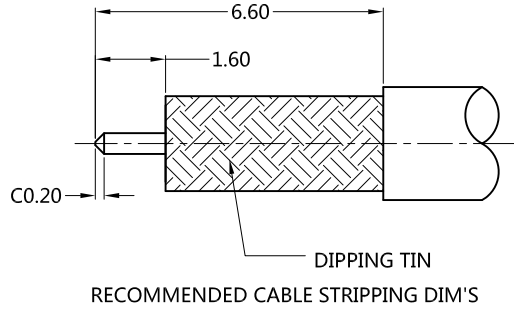


REV.	DESCRIPTION	ECN NO.	NAME	DATE	 ALL PARTS MUST MEET TO RoHS REQUIREMENTS
A0	FIRST EDITION	N/A	ZLQ	2017-05-05	
A1	NEW FRAME	N/A	LEI CHAO	2020-07-13	

REMARKS:
 1. ADD SIZES :6.74mm
 2. CONTACT PIN TO CAPTIVE
 3. BODY TO SOLDER



MATERIALS AND PLATING		UNIT: MICRO-INCHES
PART NAME	MATERIALS	PLATING
BODY	Be-Cu C17300	GOLD 30 u"/NICKEL/COPPER
CONTACT PIN	Be-Cu C17300	GOLD 50 u"/NICKEL/COPPER
INSULATOR	PEEK	N/A

ELECTRICAL CHARACTERISTICS	
IMPEDANCE	50 Ω
VOLTAGE RATING	170 V(rms)
FREQUENCY RANGE	DC ~ 40 GHz
DIELECTRIC WITHSTANDING VOLTAGE	>500 V
CONTACT RESISTANCE	CENTER CONTACT
	OUTER CONTACT
INSULATION RESISTANCE	>5000 MΩ
INSERTION LOSS	<0.10x√F(GHz) dB
VSWR	< 1.50
3RD INTERMODULATION	N/A

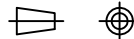
MECHANICAL CHARACTERISTICS		
ENGAGEMENT FORCE	FULL DETENT	<4.5lbs
	SMOOTH BORE	<2.5lbs
SEPARATION FORCE	FULL DETENT	>6.5 lbs
	SMOOTH BORE	>1.5 lbs
CENTER CONTACT RETENTION FORCE		> 3 lbs
COUPLING NUT RETENTION FORCE		N/A
DURABILITY		> 500 cycles

ENVIRONMENTAL PARAMETER	
TEMPERATURE RANGE	-40 °C~+125 °C

*** CUSTOMER OUTLINE DRAWING**

UNLESS OTHERWISE SPECIFIED:
 1) EDGES : C0.15 MAX ;
 2) REMOVE ALL BURRS ;
 3) SURFACE ROUGHNESS : Ra1.6 ;
 4) UNITS : mm ;
 5) DIMENSIONS TOLERANCES
 DECIMALS : .x ±0.3 .xx ±0.2 .xxx±0.1;
 ANGLES : ± 5°.

THIRD ANGLE PROJECTION



APPROVED :

CUSTOMER P/N :

CHECKED :

SCALE :

6 : 1

DRAWING :

DATE : 2020-07-13

PAGE : 1/1



TITLE : SSMP FEMALE S/T SOLDER FOR TFLEX-405 CABLE ,50 Ω

DRAWING NO. :

5MPF15S-A82-004

COMPANY WEBSITE : www.slkcorp.com

CUSTOMER OUTLINE DRAWING