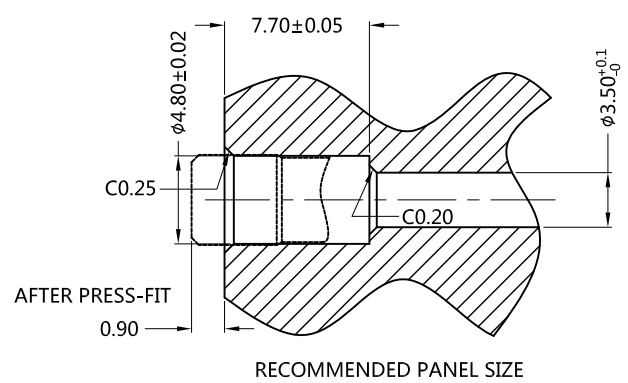
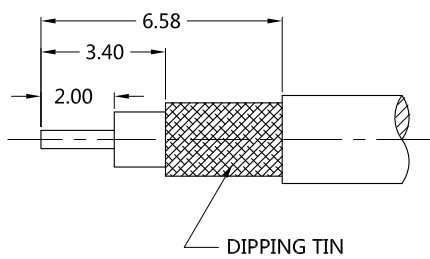
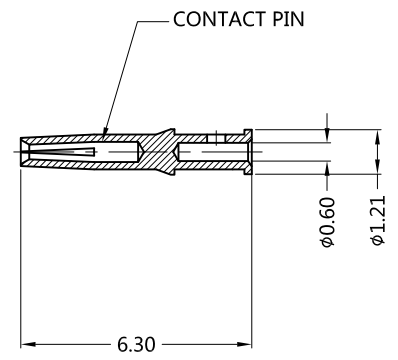
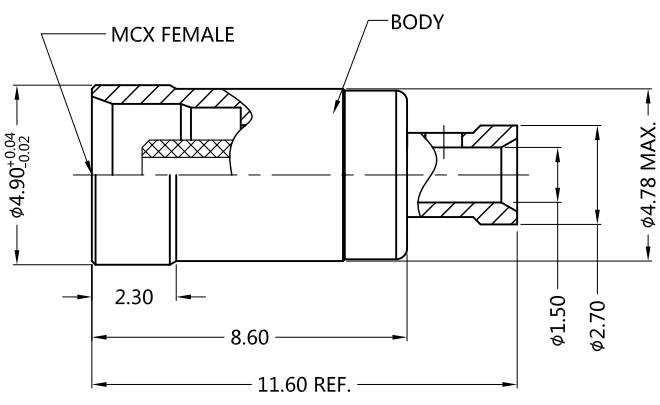


REV.	DESCRIPTION	ECN NO.	NAME	DATE
3	UPDATE THE PLATING	N/A	Fang	2019-06-14
4	NEW FRAME	N/A	LEI CHAO	2020-07-13
5	CHANGE VOLTAGE RATING	N/A	Kevin.Li	2020-10-14



ALL PARTS MUST MEET TO RoHS REQUIREMENTS



RECOMMENDED CABLE STRIPPING DIM'S

RECOMMENDED PANEL SIZE

MATERIALS AND PLATING		UNIT: MICRO-INCHES
PART NAME	MATERIALS	PLATING
BODY	BRASS	ALBALOY 80 u"/COPPER
CONTACT PIN	Be-Cu C17300	GOLD 15 u"/NICKEL/COPPER
INSULATOR	PTFE ASTM-D-1710	N/A

ELECTRICAL CHARACTERISTICS	
IMPEDANCE	50 Ω
VOLTAGE RATING	1500 V(rms)
FREQUENCY RANGE	0 ~ 100 MHz
DIELECTRIC WITHSTANDING VOLTAGE	>1500 V
CONTACT RESISTANCE	CENTER CONTACT
	OUTER CONTACT
INSULATION RESISTANCE	>1000 MΩ
INSERTION LOSS	<0.10 x _v √F(GHz) dB
VSWR	< 1.30
3RD INTERMODULATION	N/A

MECHANICAL CHARACTERISTICS	
FORCE TO ENGAGE AND DISENGAGE	N/A
RECOMMENDED COUPLING TORQUE	N/A
CENTER CONTACT RETENTION FORCE	>2.25 lbs
COUPLING NUT RETENTION FORCE	N/A
DURABILITY	> 500 cycles

ENVIRONMENTAL PARAMETER	
TEMPERATURE RANGE	-40 °C~+165 °C

CUSTOMER OUTLINE DRAWING

* CUSTOMER OUTLINE DRAWING

UNLESS OTHERWISE SPECIFIED:
 1) EDGES : C0.15 MAX ;
 2) REMOVE ALL BURRS ;
 3) SURFACE ROUGHNESS : Ra1.6 ;
 4) UNITS : mm ;
 5) DIMENSIONS TOLERANCES
 DECIMALS : .x ±0.3 .xx ±0.2 .xxx±0.1;
 ANGLES : ± 5°.

THIRD ANGLE PROJECTION		
APPROVED :	CUSTOMER P/N :	-
CHECKED :	SCALE :	6 : 1
DRAWING :	DATE :	2020-10-14
PAGE :		1/1

TITLE : MCX FEMALE S/T SOLDER FOR RG178 CABLE ,50 Ω
 DRAWING NO. : 5MXF15S-A03
 COMPANY WEBSITE : www.slkcorp.com