

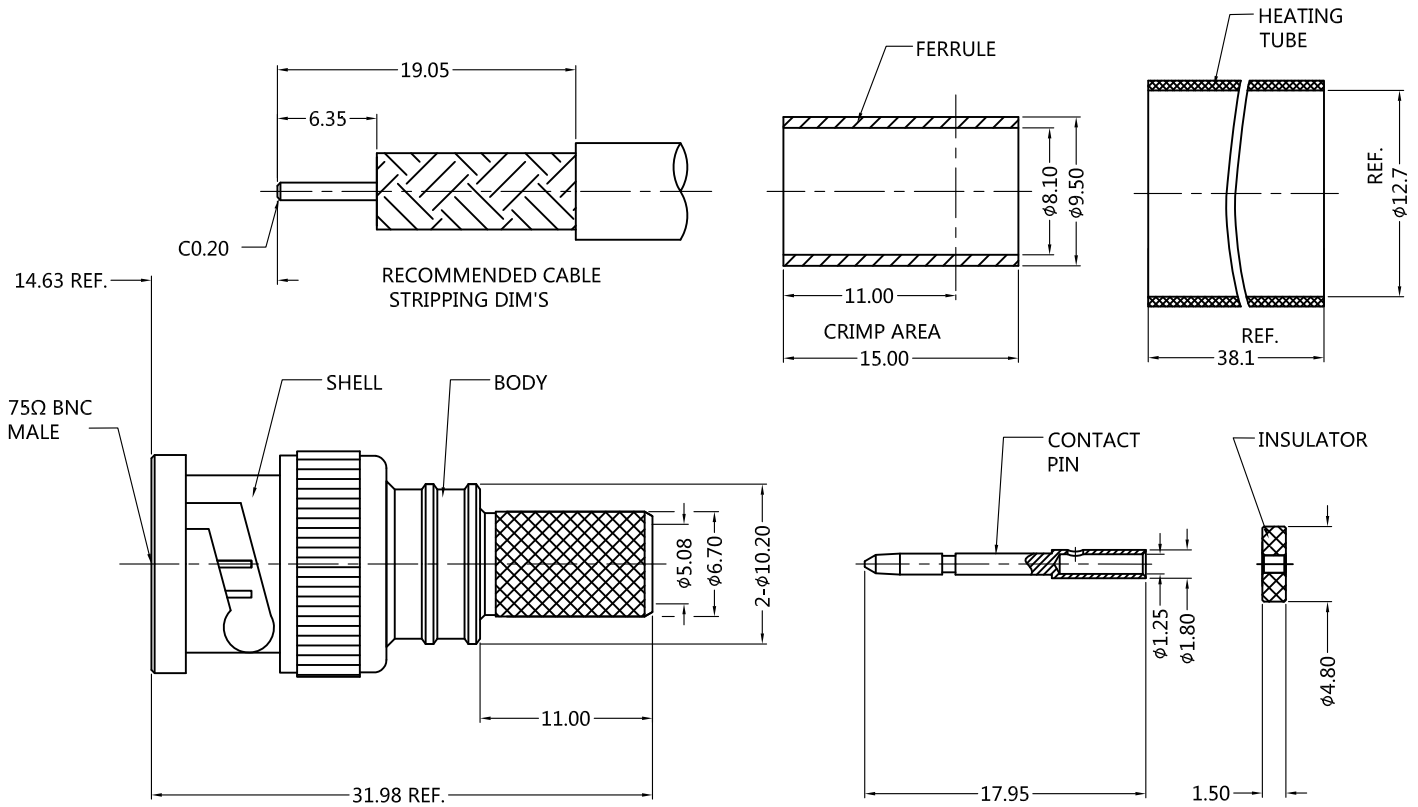
REV.	DESCRIPTION	ECN NO.	NAME	DATE
2	NEW FRAME	N/A	HYH	2020-07-04



ALL PARTS MUST MEET TO RoHS REQUIREMENTS

REMARK:

1. CRIMPED FERRULE HEX. CRIMP SIZE .324"
2. CONTACT PIN TO SOLDER



MATERIALS AND PLATING		UNIT: MICRO-INCHES
PART NAME	MATERIALS	PLATING
BODY,SHELL	BRASS	ALBALOY PL.80 u"/COPPER
CONTACT PIN	BRASS	GOLD PL.50 u"/NICKEL/COPPER
INSULATOR	PTFE ASTM-D-1710	N/A
FERRULE	BRASS	ALBALOY PL.80 u"/COPPER
GASKET	SILICONE	RED
HEAT SHRINK	PO	BLACK

ELECTRICAL CHARACTERISTICS	
IMPEDANCE	75 Ω
VOLTAGE RATING	>500 V(rms)
FREQUENCY RANGE	0 ~ 2 GHz
DIELECTRIC WITHSTANDING VOLTAGE	>1000 V
CONTACT RESISTANCE	CENTER CONTACT <1.5 mΩ
	OUTER CONTACT <0.2 mΩ
INSULATION RESISTANCE	>5000 MΩ
INSERTION LOSS	<0.1x√F (GHz) dB
VSWR	<1.2
3RD INTERMODULATION	N/A

MECHANICAL CHARACTERISTICS	
FORCE TO ENGAGE AND DISENGAGE	N/A
CENTER CONTACT RETENTION FORCE	N/A
RECOMMENDED COUPLING TORQUE	N/A
COUPLING NUT RETENTION FORCE	>100 lbs
DURABILITY	>500 cycles

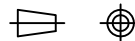
ENVIRONMENTAL PARAMETER	
TEMPERATURE RANGE	-40 °C~+125 °C
THERMAL SHOCK	MIL- STD 202, METH. 107,COND. B
VIBRATION	MIL- STD 202, METH. 204,COND. B
SHOCK	MIL- STD 202, METH. 213,COND. G
CLIMATIC CLASS	IEC 60068 65/165/21

\* CUSTOMER OUTLINE DRAWING

UNLESS OTHERWISE SPECIFIED:

- 1) EDGES : C0.15 MAX ;
- 2) REMOVE ALL BURRS ;
- 3) SURFACE ROUGHNESS : Ra1.6 ;
- 4) UNITS : mm ;
- 5) DIMENSIONS TOLERANCES  
DECIMALS : .x ±0.3 .xx ±0.2 .xxx±0.1;  
ANGLES : ± 5°.

THIRD ANGLE PROJECTION



APPROVED :

CUSTOMER P/N :

CHECKED :

SCALE :

1 : 1

DRAWING :

HYH

DATE : 2020-07-04

PAGE : 1/1



TITLE : BNC MALE S/T CRIMP FOR LMR-300-75 CABLE,75Ω

DRAWING NO. :

7BNM11S-A393

COMPANY WEBSITE : www.slkcorp.com

CUSTOMER OUTLINE DRAWING