

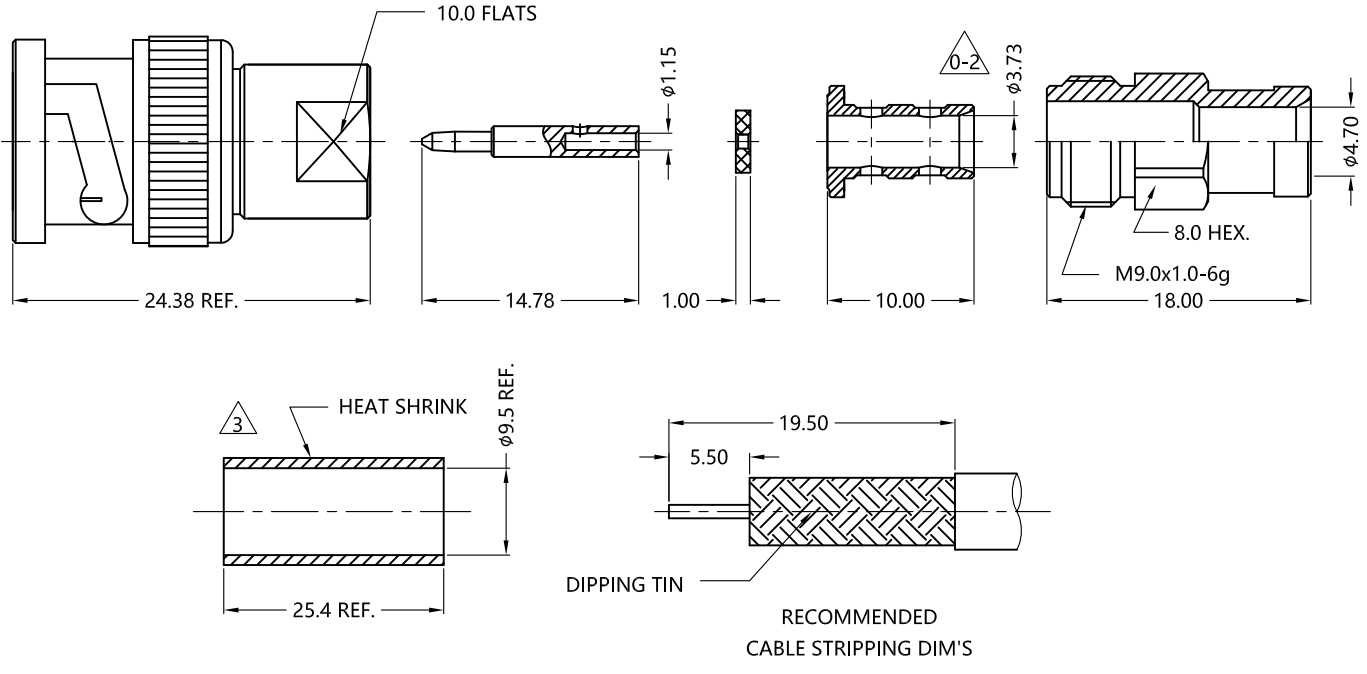
REV.	DESCRIPTION	ECN NO.	NAME	DATE
1	Ø3.55 was Ø3.73	N/A	YY	2014-08-20
2	Ø3.73 was Ø3.55	N/A	YY	2014-12-31
3	Modify note	N/A	ZLX	2018-05-16
4	UPDATE THE DRAWING	N/A	PY	2020-08-17



ALL PARTS MUST MEET TO RoHS REQUIREMENTS

REMARKS:

- CONTACT PIN AND CABLE BRAID TO SOLDER
- ADD SIZE:12.1mm



MATERIALS AND PLATING		UNIT: MICRO-INCHES
PART NAME	MATERIALS	PLATING
BODY	NON-MAGNETIC BRASS	ALBALOY 80u" / COPPER
INSULATOR	PTFE ASTM-D-1710	N/A
CONTACT PIN	NON-MAGNETIC BRASS	GOLD 15u" / COPPER
FERRULE	NON-MAGNETIC BRASS	GOLD 5u" / COPPER
HEAT SHRINK	PO	BLACK

ELECTRICAL CHARACTERISTICS		
IMPEDANCE	50 Ω	
VOLTAGE RATING	750 V(rms)	
FREQUENCY RANGE	0 ~ 4 GHz	
DIELECTRIC WITHSTANDING VOLTAGE	>1000 V	
CONTACT RESISTANCE	CENTER CONTACT	<3.0 mΩ
	OUTER CONTACT	<2.0 mΩ
INSULATION RESISTANCE	>5000 MΩ	
INSERTION LOSS	N/A	
VSWR	<1.3	
3RD INTERMODULATION	N/A	

MECHANICAL CHARACTERISTICS	
FORCE TO ENGAGE AND DISENGAGE	N/A
CENTER CONTACT RETENTION FORCE	>6 lbs
RECOMMENDED COUPLING TORQUE	N/A
COUPLING NUT RETENTION FORCE	>100 lbs \triangle_3
DURABILITY	>500cycles

ENVIRONMENTAL PARAMETER	
TEMPERATURE RANGE	-40 °C ~ +125 °C \triangle_3
THERMAL SHOCK	MIL- STD 202, Meth. 107, Cond. B
VIBRATION	MIL- STD 202, Meth. 204, Cond. B
SHOCK	MIL- STD 202, Meth. 213, Cond. I

* CUSTOMER OUTLINE DRAWING

UNLESS OTHERWISE SPECIFIED:
 1) EDGES : C0.15 MAX ;
 2) REMOVE ALL BURRS ;
 3) SURFACE ROUGHNESS : Ra1.6 ;
 4) UNITS : mm ;
 5) DIMENSIONS TOLERANCES
 DECIMALS : .x ±0.3 .xx ±0.2 .xxx ±0.1 ;
 ANGLES : ± 5°.

THIRD ANGLE PROJECTION	
APPROVED :	CUSTOMER P/N :
CHECKED :	SCALE : 1 : 1
DRAWING :	DATE : 2020-08-17
PAGE : 1/1	

TITLE : BNC MALE S/T FOR HFlex-142 CABLE,50Ω
 DRAWING NO. : NM-5BNM15S-A422
 COMPANY WEBSITE : www.slkcorp.com

CUSTOMER OUTLINE DRAWING