
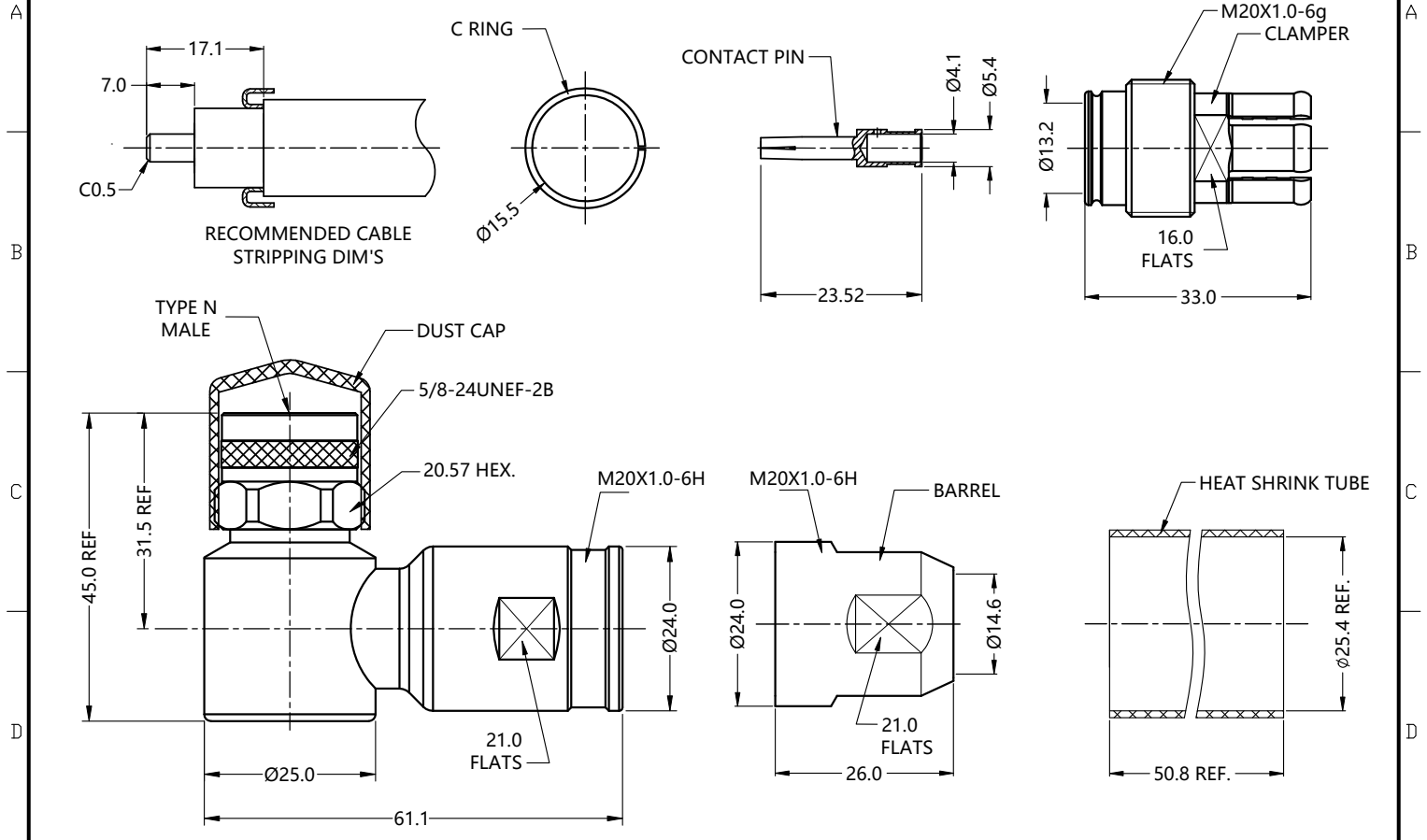




1	2	3	4	5	6
REV 0	DESCRIPTION FIRST EDITION	ECN NO N/A	NAME Liu	DATE 2022-11-02	REMARKS: 1.ADDS SIZE:23.6mm 2.CONTACT PIN TO SOLDER
					
					ALL PARTS MUST MEET TO RoHS REQUIREMENTS



MATERIALS AND PLATING		UNIT: MICRO-INCHES	ELECTRICAL CHARACTERISTICS	
BODY/SHELL	BRASS C3604	ALBALOY 100 u" /COPPER	IMPEDANCE	50 Ω
CONTACT PIN	BRASS+Be-Cu	GOLD 15 u"/NICKEL/COPPER	VOLTAGE RATING	835 V(rms)
INSULATOR	PTFE ASTM-D-1710	N/A	FREQUENCY RANGE	DC~2.5 GHz
CLAMPER	QSn 4-3	ALBALOY 100 u" /COPPER	DIELECTRIC WITHSTANDING VOLTAGE	>2500 V
BARREL	BRASS C3604	ALBALOY 100 u" /COPPER	CONTACT RESISTANCE	CENTER CONTACT <1.0 mΩ
C RING	STAINLESS STEEL	PASSIVATION		OUTER CONTACT <0.2 mΩ
MECHANICAL CHARACTERISTICS			INSULATION RESISTANCE	>5000 MΩ
			FORCE TO ENGAGE AND DISENGAGE	N/A
			CENTER CONTACT RETENTION FORCE	N/A
			RECOMMENDED COUPLING TORQUE	9~14 in-lbs
ENVIRONMENTAL CHARACTERISTICS			INSERTION LOSS	<0.05√F dB
			COUPLING NUT RETENTION FORCE	>100 lbs
			VSWR	<1.30
			DURABILITY	>500 cycles
			3RD INTERMODULATION	N/A
			ENVIRONMENTAL CHARACTERISTICS	
			TEMPERATURE RANGE	-40 °C~+125 °C
			THERMAL SHOCK	MIL- STD 202, Meth. 107,Cond. B
			VIBRATION	MIL- STD 202, Meth. 204,Cond. B
			SHOCK	MIL- STD 202, Meth. 213,Cond. I

<b>* CUSTOMER OUTLINE DRAWING</b>				
UNLESS OTHERWISE SPECIFIED: 1) C0.15 MAX; 2) REMOVE ALL BURRS; 3) SURFACE ROUGHNESS : Ra1.6; 4) UNITS:mm; 5) DIMENSIONS TOLERANCES DECIMALS .x ±0.3 .xx ±0.2 .xxx±0.1 ANGLES ±5°	THIRD ANGLE PROJECTION			
	APPROVED:			CUSTOMER P/N:
	CHECKED:	SCALE:		1:1
	DRAWING:	DATE:		2022-11-02
		COMPANY WEBSITE: www.slkcorp.com	TITLE: TYPE N MALE R/A CLAMP FOR SFT-600(056") CABLE,50Ω DRAWING NO: 5NCM14R-A270	