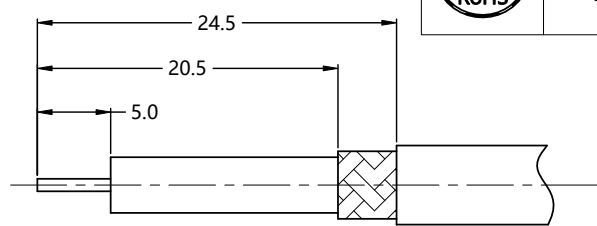


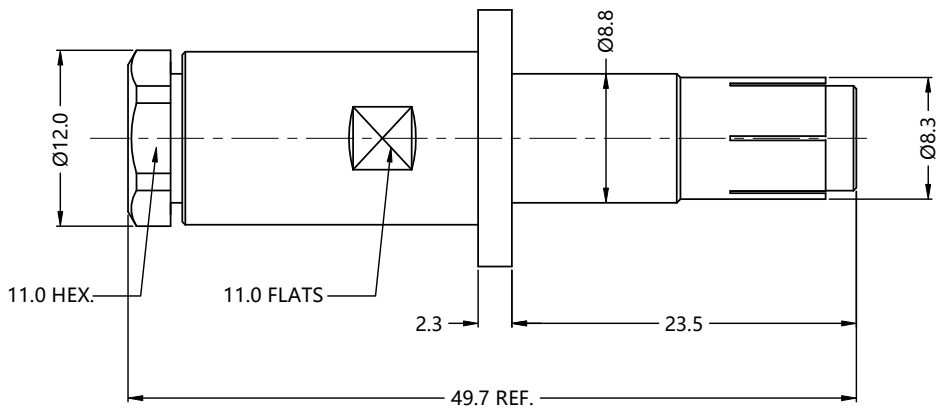
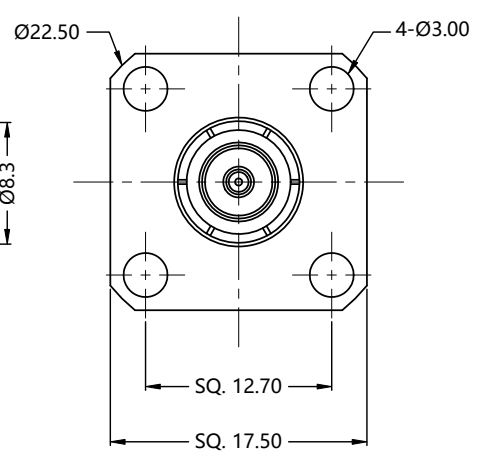
REV.	DESCRIPTION	ECN NO.	NAME	DATE
0	FIRST EDITION	N/A	YWD	2022-07-05



ALL PARTS MUST MEET TO RoHS REQUIREMENTS



RECOMMENDED CABLE STRIPPING DIM'S



MATERIALS AND PLATING		UNIT: MICRO-INCHES
PART NAME	MATERIALS	PLATING
BODY/SHELL	BRASS	NICKEL PLATING
INSULATOR	PTFE	N/A
CONTACT PIN	BRASS	GOLD PLATING

ELECTRICAL CHARACTERISTICS	
IMPEDANCE	50 Ω
VOLTAGE RATING	1500 V
FREQUENCY RANGE	DC-300 MHz
DIELECTRIC WITHSTANDING VOLTAGE	> 5000 V
CONTACT RESISTANCE	CENTER CONTACT < 2.0 mΩ
	OUTER CONTACT < 1.5 mΩ
INSULATION RESISTANCE	> 5 GΩ
INSERTION LOSS	N/A
VSWR	N/A

MECHANICAL CHARACTERISTICS	
FORCE TO ENGAGE AND DISENGAGE	N/A
CENTER CONTACT RETENTION FORCE	N/A
RECOMMENDED COUPLING TORQUE	N/A
SHELL RETENTION FORCE	> 101.2 LBS
DURABILITY	> 500 cycles

ENVIRONMENTAL PARAMETER	
TEMPERATURE RANGE	-40°C~+85°C

* CUSTOMER OUTLINE DRAWING

UNLESS OTHERWISE SPECIFIED:
 1) EDGES : C0.15 MAX ;
 2) REMOVE ALL BURRS ;
 3) SURFACE ROUGHNESS : Ra1.6 ;
 4) UNITS : mm ;
 5) DIMENSIONS TOLERANCES
 DECIMALS : .x ±0.3 .xx ±0.2 .xxx±0.1;
 ANGLES : ± 5°.

THIRD ANGLE PROJECTION	
APPROVED :	CUSTOMER P/N :
CHECKED :	SCALE :
DRAWING :	DATE : 2022-07-05
PAGE : 1/1	

TITLE : MHV MALE S/T CLAMP FOR LEMO 130660 CABLE
 DRAWING NO. : 5MVM14S-A710
 COMPANY WEBSITE : www.slkcorp.com