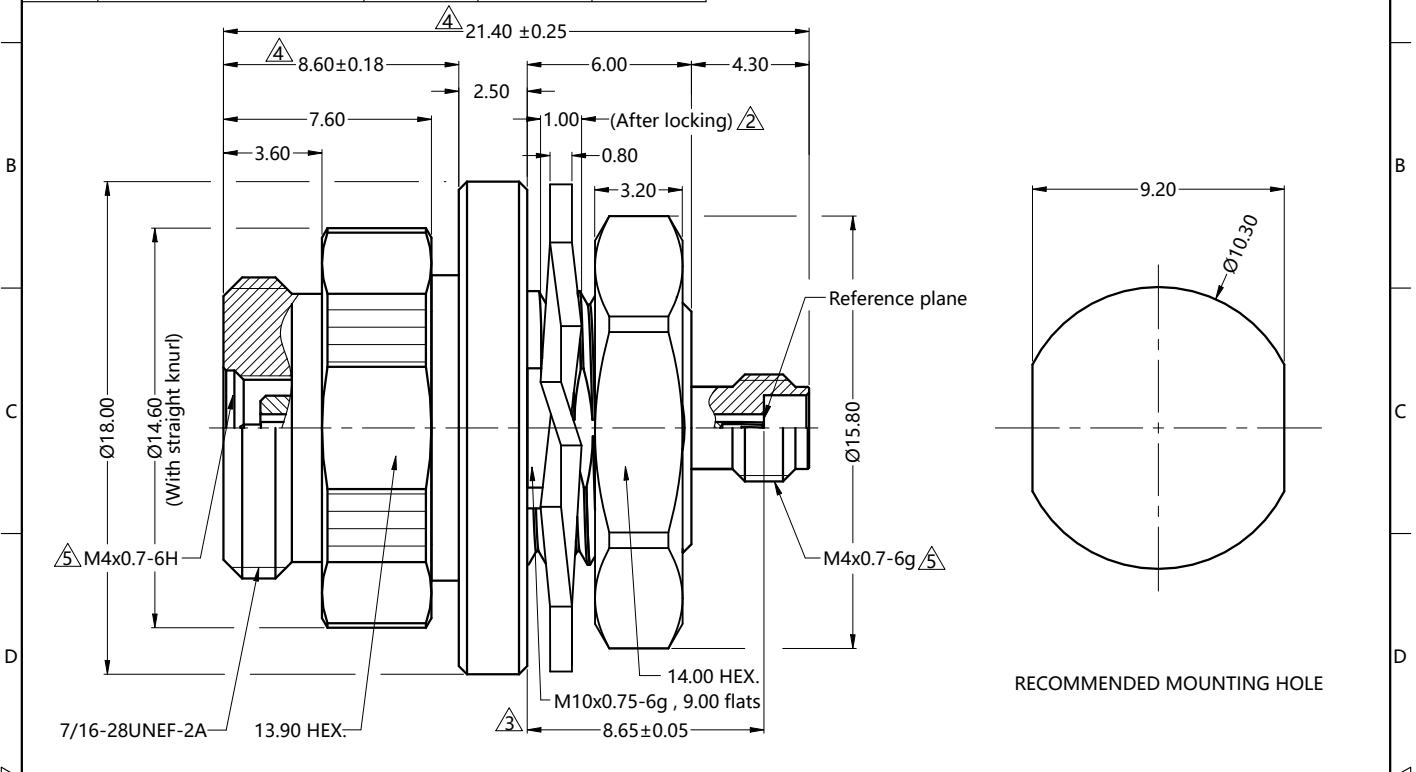


REV.	DESCRIPTION	ECN NO.	NAME	DATE
2	UPDATE THE DESCRIPTION	N/A	SYH	2022-01-18
3	ADD THE DIMENSION	N/A	SYH	2022-02-07
4	ADD THE TOLERANCE, UPDATE THE INSERTION LOSS	N/A	SYH	2022-02-14
5	ADD THE THREAD DIMENSION	N/A	SYH	2022-02-18



ALL PARTS MUST MEET TO RoHS REQUIREMENTS



MATERIALS AND PLATING			UNIT: MICRO-INCHES	ELECTRICAL CHARACTERISTICS				
PART NAME	MATERIALS	PLATING						
OUTER CONTACT	STAINLESS STEEL	PL.GOLD 1.27µm/NICKEL	IMPEDANCE			50 Ω		
INSULATOR	PEI	N/A	VOLTAGE RATING			150 V(rms)		
CONTACT PIN	BERYLLIUM COPPER	PL.GOLD 1.27µm/NICKEL	FREQUENCY RANGE			DC ~ 110 GHz		
SHELL/NUT	STAINLESS STEEL	PASSIVATION (BRIGHT)	DIELECTRIC WITHSTANDING VOLTAGE			> 500 V		
OTHER BODY	STAINLESS STEEL	PASSIVATION (BRIGHT)	CONTACT RESISTANCE		CENTER CONTACT	< 4.0 mΩ		
WASHER	STAINLESS STEEL	PASSIVATION (BRIGHT)			OUTER CONTACT	< 1.0 mΩ		
THE GOLD PLATING LAYER IS NOT ALLOWED TO BE PEELED ∇			INSULATION RESISTANCE			> 5000 MΩ		
MECHANICAL CHARACTERISTICS			INSERTION LOSS ∇		DC < f ≤ 75GHz	FREQUENCY RANGE (f)		
					75 < f ≤ 80GHz			
FORCE TO ENGAGE AND DISENGAGE		N/A			80 < f ≤ 110GHz			
CENTER CONTACT RETENTION FORCE		> 10 N			DC < f ≤ 67GHz			
RECOMMENDED COUPLING TORQUE		3.5 ~ 4.4 in-lbs (Standard)			> 23dB	RETURN LOSS		
		8 ~ 12 in-lbs (NMD)			> 17dB			
COUPLING NUT RETENTION FORCE		> 50 lbs	3RD INTERMODULATION			N/A		
DURABILITY		> 500 cycles	ENVIRONMENTAL PARAMETER					
* CUSTOMER OUTLINE DRAWING			TEMPERATURE RANGE		-55 °C ~ +125 °C			
			TEMPERATURE LIFE		+85 °C, 250h			
			CORROSION		MIL-STD-202, Method 101, Cond B			
UNLESS OTHERWISE SPECIFIED: 1) EDGES : C0.15 MAX ; 2) REMOVE ALL BURRS ; 3) SURFACE ROUGHNESS : Ra1.6 ; 4) UNITS : mm ; 5) DIMENSIONS TOLERANCES DECIMALS : .x ± 0.3 .xx ± 0.1 .xxx ± 0.05; ANGLES : ± 5°.			THIRD ANGLE PROJECTION					
			APPROVED :				CUSTOMER P/N :	
			CHECKED :				SCALE :	
			DRAWING :				DATE : 2022-02-18	
			PAGE : 1/1		TITLE : 1.0mm FEMALE TO 1.0mm NMD MALE BULKHEAD S/T ADAPTOR, 50Ω			
					DRAWING NO. : T-5T1F06S-T1M-002			
					COMPANY WEBSITE : www.slkcorp.com			

CUSTOMER OUTLINE DRAWING