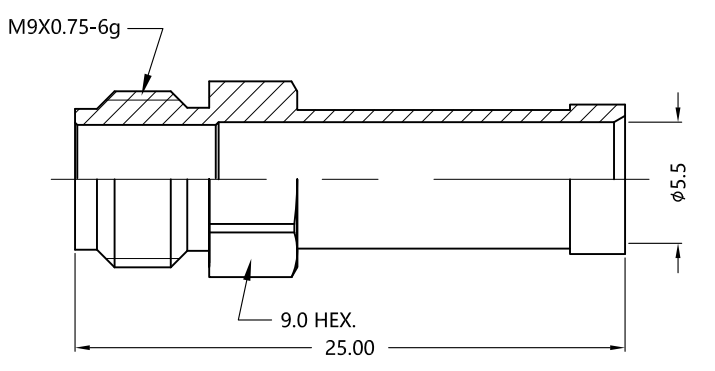
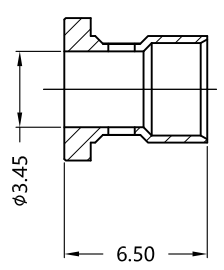
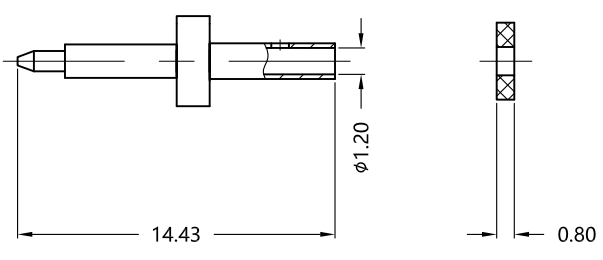
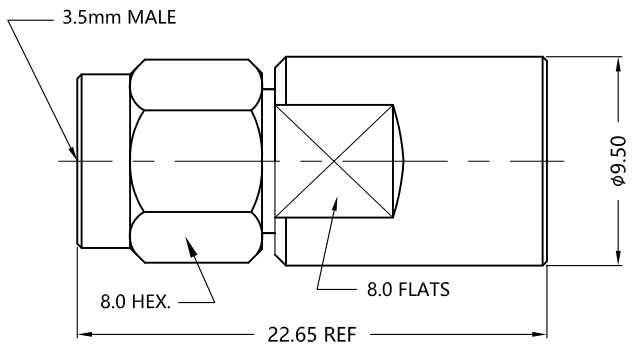
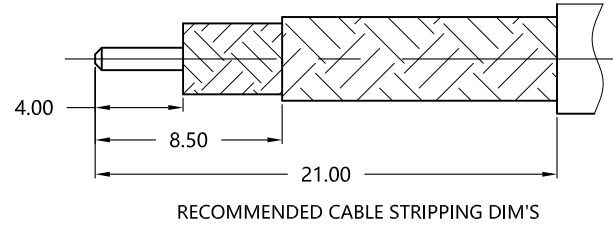


REV.	DESCRIPTION	ECN NO.	NAME	DATE
1	NEW FRAME	N/A	JING	2020-08-07



ALL PARTS MUST MEET TO RoHS REQUIREMENTS

REMARKS:
1. CONTACT PIN & FERRULE TO SOLDER



MATERIALS AND PLATING		UNIT: MICRO-INCHES
PART NAME	MATERIALS	PLATING
BODY	STAINLESS STEEL	PASSIVATION
INSULATOR	PEEK + PTFE	N/A
CONTACT PIN	BRASS + Be-Cu	PL.GOLD 50 u"/COPPER
GASKET	SILICONE	N/A

ELECTRICAL CHARACTERISTICS	
IMPEDANCE	50 Ω
VOLTAGE RATING	335 V(rms)
FREQUENCY RANGE	DC ~ 26.5 GHz
DIELECTRIC WITHSTANDING VOLTAGE	>1000 V
CONTACT RESISTANCE	CENTER CONTACT <math>< 0.7 \text{ m}\Omega</math>
	OUTER CONTACT <math>< 0.13 \text{ m}\Omega</math>
INSULATION RESISTANCE	>1000 M Ω
INSERTION LOSS	N/A
VSWR	<1.30
3RD INTERMODULATION	N/A

MECHANICAL CHARACTERISTICS	
FORCE TO ENGAGE AND DISENGAGE	N/A
CENTER CONTACT RETENTION FORCE	N/A
RECOMMENDED COUPLING TORQUE	11.5-15 in-lbs
COUPLING NUT RETENTION FORCE	>100 lbs
DURABILITY	>500 cycles

ENVIRONMENTAL PARAMETER	
TEMPERATURE RANGE	-40 $^{\circ}\text{C}$ ~ +125 $^{\circ}\text{C}$

* CUSTOMER OUTLINE DRAWING

UNLESS OTHERWISE SPECIFIED:
 1) EDGES : C0.15 MAX ;
 2) REMOVE ALL BURRS ;
 3) SURFACE ROUGHNESS : Ra1.6 ;
 4) UNITS : mm ;
 5) DIMENSIONS TOLERANCES
 DECIMALS : .x ± 0.3 .xx ± 0.2 .xxx ± 0.1 ;
 ANGLES : $\pm 5^{\circ}$.

THIRD ANGLE PROJECTION		
APPROVED :	CUSTOMER P/N :	
CHECKED :	SCALE :	3 : 1
DRAWING :	DATE :	2020-08-07
JING	PAGE :	1/1

TITLE : 3.5MM MALE S/T SOLDER FOR SFT-142S-PUR CABLE, 50 Ω

DRAWING NO. : 5P3M15S-A643

COMPANY WEBSITE : www.slkcorp.com

CUSTOMER OUTLINE DRAWING