
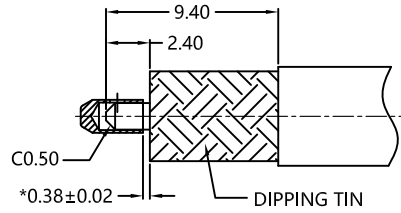
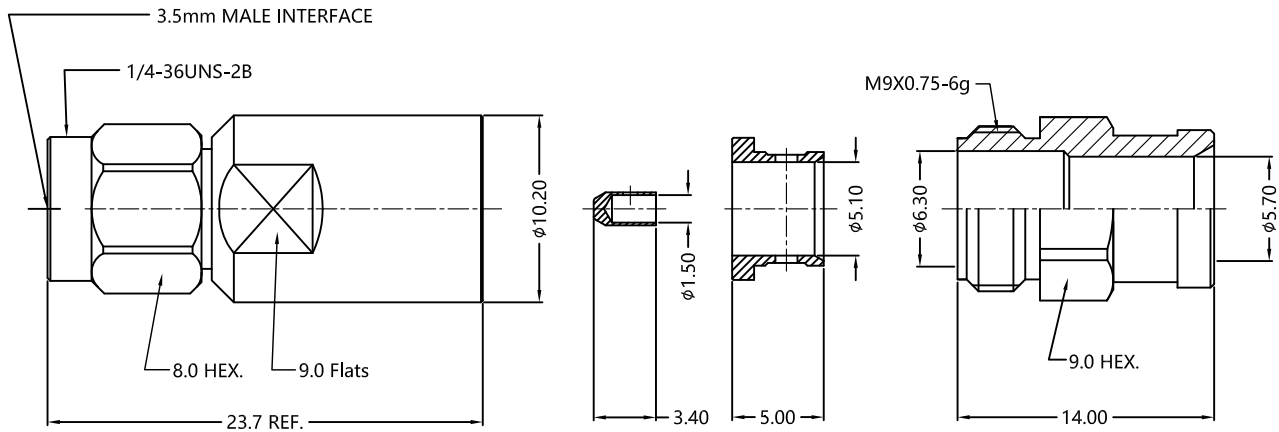


| | | | | | |
|------|-------------|---------|------|------------|---|
| REV. | DESCRIPTION | ECN NO. | NAME | DATE |  ALL PARTS MUST MEET TO RoHS REQUIREMENTS |
| 1 | NEW FRAME | N/A | JING | 2020-08-07 | |

REMARKS:
 1.ADD SIZE:15.95mm
 2.CONTACT PIN TO CAPTIVE
 3.FERRULE TO SOLDER



RECOMMENDED CABLE STRIPPING DIM'S



| MATERIALS AND PLATING | | UNIT: MICRO-INCHES |
|-----------------------|-----------------|-------------------------|
| PART NAME | MATERIALS | PLATING |
| BODY/SHELL | STAINLESS STEEL | PASSIVATION |
| INSULATOR | PEI | N/A |
| CONTACT PIN | BeCu C17300 | GOLD 50u"/COPPER |
| FERRULE | BRASS | GOLD 10u"/NICKEL/COPPER |
| BARREL | STAINLESS STEEL | PASSIVATION |


| ELECTRICAL CHARACTERISTICS | | |
|---------------------------------|------------------------|---------|
| IMPEDANCE | 50 Ω | |
| VOLTAGE RATING | 335 V(rms) | |
| FREQUENCY RANGE | 0 ~ 26.5 GHz | |
| DIELECTRIC WITHSTANDING VOLTAGE | >500 V | |
| CONTACT RESISTANCE | CENTER CONTACT | <3.0 mΩ |
| | OUTER CONTACT | <2.0 mΩ |
| INSULATION RESISTANCE | >5000 MΩ | |
| INSERTION LOSS | According to the cable | |
| RF-LEAKAGE | N/A | |
| VSWR | <1.20 | |
| 3RD INTERMODULATION | N/A | |

| MECHANICAL CHARACTERISTICS | |
|--------------------------------|-------------|
| FORCE TO ENGAGE AND DISENGAGE | N/A |
| CENTER CONTACT RETENTION FORCE | >10 lbs |
| RECOMMENDED COUPLING TORQUE | 7-10 in-lbs |
| COUPLING NUT RETENTION FORCE | >60 lbs |
| DURABILITY | >500 cycles |

| ENVIRONMENTAL PARAMETER | |
|-------------------------|-----------------|
| TEMPERATURE RANGE | -40 °C ~ +85 °C |

* CUSTOMER OUTLINE DRAWING

UNLESS OTHERWISE SPECIFIED:
 1) EDGES : C0.15 MAX ;
 2) REMOVE ALL BURRS ;
 3) SURFACE ROUGHNESS : Ra1.6 ;
 4) UNITS : mm ;
 5) DIMENSIONS TOLERANCES
 DECIMALS : .x ±0.3 .xx ±0.2 .xxx±0.1;
 ANGLES : ± 5°.

| | | |
|------------------------|----------------|--|
| THIRD ANGLE PROJECTION | |  SLK SUPERLINK |
| APPROVED : | CUSTOMER P/N : | |
| CHECKED : | SCALE : | |
| DRAWING : | DATE : | |
| JING | 2020-08-07 | TITLE : 3.5mm MALE S/T SOLDER FOR SLB-540 CABLE, 50Ω |
| | PAGE : 1/1 | DRAWING NO. : |
| | | 5P3M15S-A587 |
| | | COMPANY WEBSITE : www.slkcorp.com |

CUSTOMER OUTLINE DRAWING