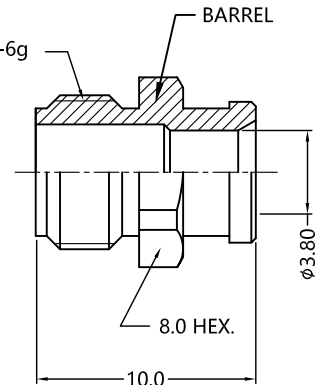
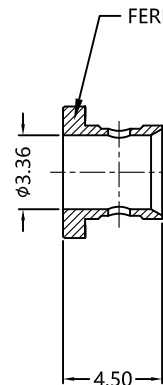
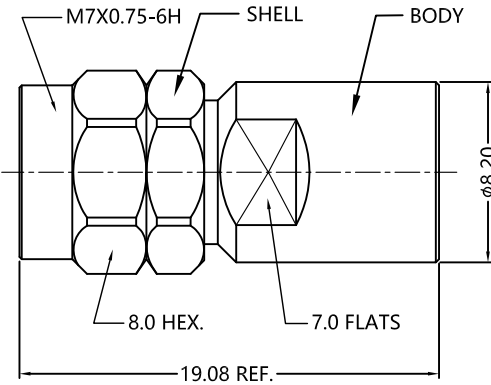
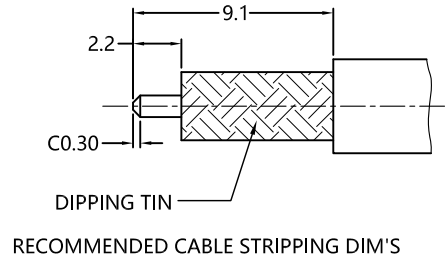


REV.	DESCRIPTION	ECN NO.	NAME	DATE
2	NEW FRAME	N/A	GUO	2020-07-15



ALL PARTS MUST MEET TO RoHS REQUIREMENTS

REMARKS:
 1.ADDS SIDE:11.7 mm
 2.CONTACT PIN TO CAPTIVE
 3.FERRULE TO SOLDER



MATERIALS AND PLATING		UNIT: MICRO-INCHES
PART NAME	MATERIALS	PLATING
BODY/SHELL	STAINLESS STEEL	PASSIVATION
INSULATOR	ENGINEERING PLASTICS	N/A
CONTACT PIN	BE-CU C17300	GOLD PL.50 u"/NICKEL/COPPER
FERRULE	BRASS C3604	GOLD PL.10 u"/NICKEL/COPPER
BARREL	STAINLESS STEEL	PASSIVATION

ELECTRICAL CHARACTERISTICS	
IMPEDANCE	50 Ω
VOLTAGE RATING	335 V(rms)
FREQUENCY RANGE	0 ~ 40 GHz
DIELECTRIC WITHSTANDING VOLTAGE	>500 V
CONTACT RESISTANCE	CENTER CONTACT
	OUTER CONTACT
INSULATION RESISTANCE	>500 MΩ
INSERTION LOSS	<0.05x√F(GHz) dB
VSWR	<1.25
3RD INTERMODULATION	N/A

MECHANICAL CHARACTERISTICS	
FORCE TO ENGAGE AND DISENGAGE	N/A
CENTER CONTACT RETENTION FORCE	>6 lbs
RECOMMENDED COUPLING TORQUE	7-8.9 in-lbs
COUPLING NUT RETENTION FORCE	>100 lbs
DURABILITY	>500 cycles

ENVIRONMENTAL PARAMETER	
TEMPERATURE RANGE	-40 °C~+125 °C

* CUSTOMER OUTLINE DRAWING

UNLESS OTHERWISE SPECIFIED:

- 1) EDGES : C0.15 MAX ;
- 2) REMOVE ALL BURRS ;
- 3) SURFACE ROUGHNESS : Ra1.6 ;
- 4) UNITS : mm ;
- 5) DIMENSIONS TOLERANCES
 DECIMALS : .x ±0.3 .xx ±0.2 .xxx±0.1;
 ANGLES : ± 5°.

THIRD ANGLE PROJECTION



APPROVED :	CUSTOMER P/N :
CHECKED :	SCALE :
DRAWING :	DATE :
GUO	2020-07-15

CUSTOMER P/N :	-
SCALE :	3:1
DATE :	2020-07-15
PAGE :	1/1



TITLE :	2.4mm MALE S/T CLAMP FOR H SPB-360 CABLE,50Ω
DRAWING NO. :	5P4M15S-A470-005
COMPANY WEBSITE :	www.slkcorp.com

CUSTOMER OUTLINE DRAWING