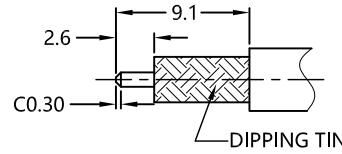


REV.	DESCRIPTION	ECN NO.	NAME	DATE
0	NEW FRAME	N/A	GUO	2020-07-20

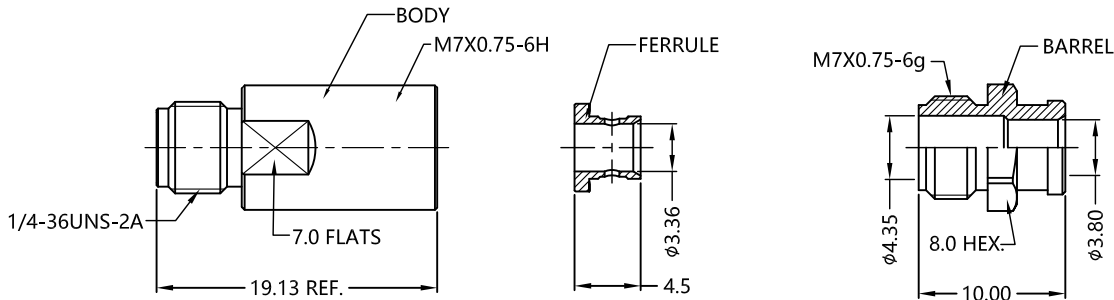


ALL PARTS MUST MEET TO RoHS REQUIREMENTS

REMARKS:
 1.ADDS SIDE:11.3 mm
 2.CONTACT PIN TO CAPTIVE, FERRULE TO SOLDER



RECOMMENDED CABLE STRIPPING DIM'S



MATERIALS AND PLATING		UNIT: MICRO-INCHES
PART NAME	MATERIALS	PLATING
BODY	STAINLESS STEEL	PASSIVATION
INSULATOR	PEI	N/A
CONTACT PIN	BE-CU C17300	GOLD PL.50 u"/NICKEL/COPPER
FERRULE	BRASS C3604	GOLD PL.10 u"/NICKEL/COPPER
BARREL	STAINLESS STEEL	PASSIVATION

ELECTRICAL CHARACTERISTICS	
IMPEDANCE	50 Ω
VOLTAGE RATING	335 V(rms)
FREQUENCY RANGE	0 ~ 40 GHz
DIELECTRIC WITHSTANDING VOLTAGE	>500 V
CONTACT RESISTANCE	CENTER CONTACT
	OUTER CONTACT
INSULATION RESISTANCE	>5000 MΩ
INSERTION LOSS	ACCORDING TO THE CABLE
VSWR	<1.20
3RD INTERMODULATION	N/A

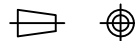
MECHANICAL CHARACTERISTICS	
FORCE TO ENGAGE AND DISENGAGE	N/A
CENTER CONTACT RETENTION FORCE	>6 lbs
RECOMMENDED COUPLING TORQUE	N/A
COUPLING NUT RETENTION FORCE	N/A
DURABILITY	>500 cycles

ENVIRONMENTAL PARAMETER	
TEMPERATURE RANGE	-40 °C~+125 °C

* CUSTOMER OUTLINE DRAWING

UNLESS OTHERWISE SPECIFIED:
 1) EDGES : C0.15 MAX ;
 2) REMOVE ALL BURRS ;
 3) SURFACE ROUGHNESS : Ra1.6 ;
 4) UNITS : mm ;
 5) DIMENSIONS TOLERANCES
 DECIMALS : .x ±0.3 .xx ±0.2 .xxx±0.1;
 ANGLES : ± 5°.

THIRD ANGLE PROJECTION



APPROVED :

CUSTOMER P/N :

CHECKED :

SCALE :

DRAWING :

GUO

DATE : 2020-07-22

PAGE : 1/1



TITLE : 2.92 FEMALE S/T SOLDER FOR SPB-360 CABLE,50Ω

DRAWING NO. : 5P9F15S-A470-002

COMPANY WEBSITE : www.slkcorp.com

CUSTOMER OUTLINE DRAWING