
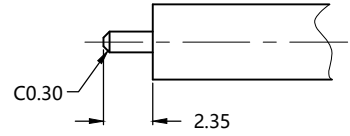
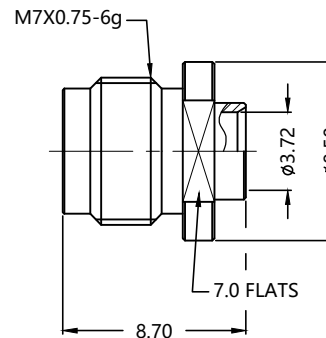
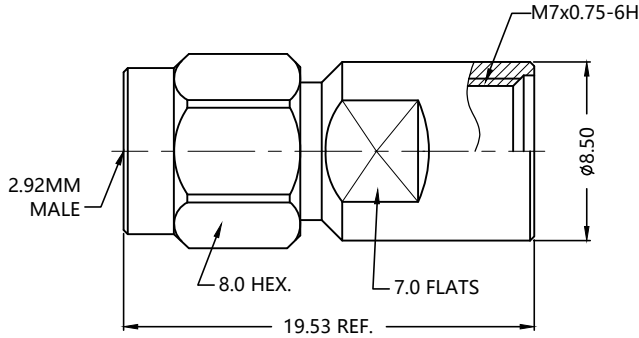


1	2	3	4	5	6
REV.	DESCRIPTION	ECN NO.	NAME	DATE	 ALL PARTS MUST MEET TO RoHS REQUIREMENTS
0	FIRST EDITION	N/A	SYH	2020-06-15	

REMARKS:  
 1.ADDS SIZE:11.98mm  
 2.BARREL TO SOLDER  
 3.CONTACT PIN TO CAPTIVE



RECOMMENDED CABLE STRIPPING DIM'S

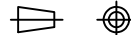


MATERIALS AND PLATING			UNIT: MICRO-INCHES		ELECTRICAL CHARACTERISTICS	
PART NAME	MATERIALS	PLATING				
BODY/SHELL	STAINLESS STEEL 303Cu	PASSIVATION			IMPEDANCE	50 Ω
INSULATOR	PEI	N/A			VOLTAGE RATING	335 V(rms)
CONTACT PIN	BeCu C17300	PL.GOLD/COPPER			FREQUENCY RANGE	DC ~ 26.5 GHz
BARREL	BRASS C3604	PL.GOLD/NICKEL/COPPER			DIELECTRIC WITHSTANDING VOLTAGE	>750 V
					CONTACT RESISTANCE	CENTER CONTACT <3.0 mΩ
						OUTER CONTACT <2.0 mΩ
					INSULATION RESISTANCE	>1000 MΩ
					INSERTION LOSS	According to the cable
					VSWR	<1.30
					3RD INTERMODULATION	N/A
MECHANICAL CHARACTERISTICS			ENVIRONMENTAL PARAMETER			
FORCE TO ENGAGE AND DISENGAGE		N/A		TEMPERATURE RANGE		-40 °C~+125 °C
CENTER CONTACT RETENTION FORCE		>6 lbs		Corrosion	US MIL- STD 202, Meth. 101,Cond. B	
RECOMMENDED COUPLING TORQUE		7-10 in-lbs		Vibration	US MIL- STD 202, Meth. 204,Cond. D	
COUPLING NUT RETENTION FORCE		>60 lbs		Shock	US MIL- STD 202, Meth. 213,Cond. I	
DURABILITY		>500cycles				

\* CUSTOMER OUTLINE DRAWING

UNLESS OTHERWISE SPECIFIED:  
 1) EDGES : C0.15 MAX ;  
 2) REMOVE ALL BURRS ;  
 3) SURFACE ROUGHNESS : Ra1.6 ;  
 4) UNITS : mm ;  
 5) DIMENSIONS TOLERANCES  
 DECIMALS : .x ±0.3 .xx ±0.2 .xxx±0.1;  
 ANGLES : ± 5°.

THIRD ANGLE PROJECTION



APPROVED :

CUSTOMER P/N :

CHECKED :

SCALE :

3:1

DRAWING :

DATE : 2020-06-15

PAGE : 1/1



TITLE : 2.92mm MALE  
S/T FOR .141 CABLE

DRAWING NO. : 5P9M15S-A81-006

COMPANY WEBSITE : www.slkcorp.com

CUSTOMER OUTLINE DRAWING