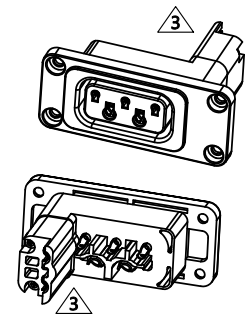
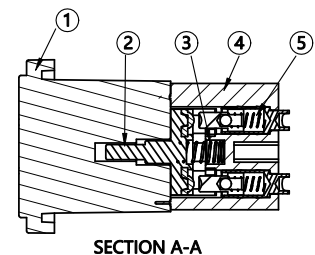
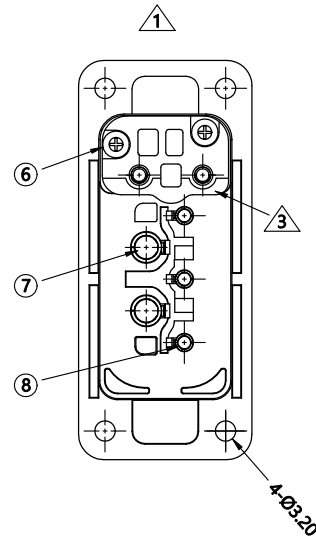
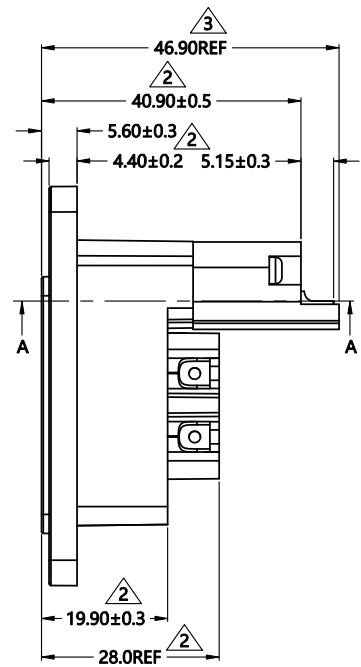
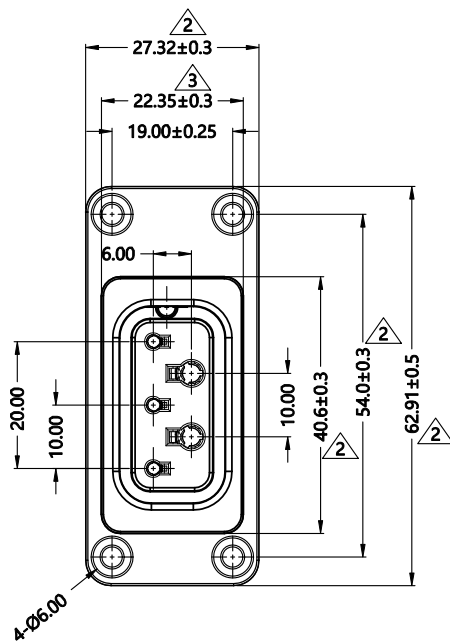


REV	DESCRIPTION	ECN NO.	NAME	DATE
0	FIRST EDITION	N/A	QGZ	2021-04-13
1	UPDATE DRAWING	N/A	QGZ	2021-05-20
2	CHANGE THE TOLERANCE	N/A	QGZ	2021-06-16
3	UPDATE DRAWING	N/A	QGZ	2021-08-10

NOTICE: ALL PARTS MUST MEET TO RoHS REQUIREMENTS

RoHS



- NOTES:
- Material  
Housing: PBT, Color: Black  
Contact: BERYLLIUM COPPER,  
Contact area 100-200u" nickel plating
  - Electrical  
Rated Current: 35A (POWER CONTACT)  
POWER CONTACT RESISTANCE : 1.0 MILLIOHMS MAX.  
SIGNAL CONTACT 3.0 MILLIOHMS MAX.  
Pogo-Pin CONTACT: ≤10.0mΩ  
Dielectric Strength: AC 1000V  
Insulation Resistance: 100MΩ MIN
  - Mechanical  
Durability: > 1000 cycles
  - Temperature Range: -20°C~+60°C  
Level of waterproof: IP65

NO.	DESCRIPTION	Q'TY
8	1.9mm母针组件	3
7	3.6mm母针组件	2
6	自攻螺丝	2
5	Pogo-Pin组件	2
4	塑胶后盖	1
3	压缩弹簧	1
2	活动顶杆	1
1	塑胶主体, PBT BLACK	1

CUSTOMER OUTLINE DRAWING

ISSUE	3	SCALE	1/1	PART NO.	
				APPROVED	
UNLESS OTHERWISE SPECIFIED 1) EDGES C0.15 MAX. 2) REMOVE ALL BURRS 3). SURFACE ROUGHNESS Ra1.6 4). UNIT S: mm 5). .XX±0.2 .XXX±0.1				CHECKED	
				DRAWN	
				DATE	
				TITLE	M型-机械断电母座
				DRAWING NO.	5EZF45S-A00-015
				Company Website:	http://www.slkcorp.com

CUSTOMER OUTLINE DRAWING