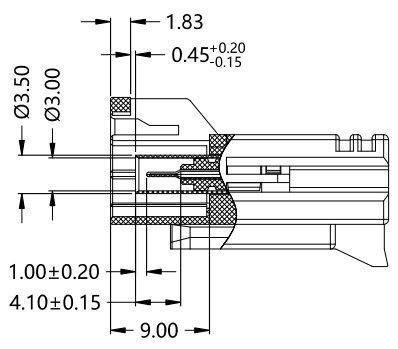
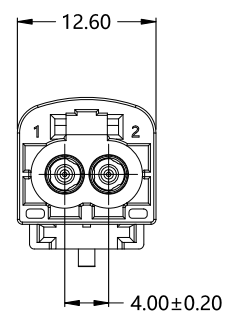
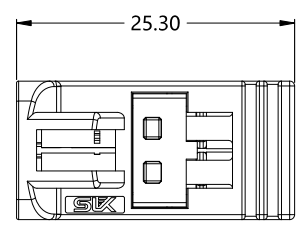
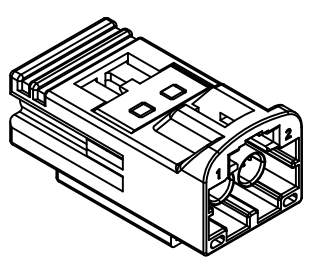


REV.	DESCRIPTION	ECN NO.	NAME	DATE
0	FIRST EDITION	N/A	Ming	2023-10-27



ALL PARTS MUST MEET TO RoHS REQUIREMENTS



MATERIALS AND PLATING		UNIT: MICRO-INCHES
PART NAME	MATERIALS	PLATING
HOUSING	PA66 30%GF	N/A
INSULATOR	MPPOPA	N/A
OUTER CONTACT	PHOSPHOR BRONZE	PL. NICKEL/COPPER
CONTACT PIN	COPPER ALLOY	PL.GOLD /NICKEL/COPPER
TPA	PA66 30%GF	N/A

CABLE TYPE : RG174

ELECTRICAL CHARACTERISTICS	
IMPEDANCE	50 Ω
VOLTAGE RATING	335 V(rms)
FREQUENCY RANGE	DC ~ 6 GHz
DIELECTRIC WITHSTANDING VOLTAGE	>750 V
CONTACT RESISTANCE	CENTER CONTACT
	OUTER CONTACT
INSULATION RESISTANCE	>1000 MΩ
INSERTION LOSS	<0.15 * √ f GHz
VSWR	20dB,DC to 3GHz 16dB,DC to 6GHz
3RD INTERMODULATION	N/A

MECHANICAL CHARACTERISTICS	
MATING FORCE	≤ 60 N
DISENGAGEMENT FORCE	≥5N
CONNECTOR DISENGAGE WITH LOCK	≥110N
Durability	≥50 cycles

ENVIRONMENTAL PARAMETER	
TEMPERATURE RANGE	-40 °C~+105 °C

*** CUSTOMER OUTLINE DRAWING**

UNLESS OTHERWISE SPECIFIED:
 1) EDGES : C0.15 MAX ;
 2) REMOVE ALL BURRS ;
 3) SURFACE ROUGHNESS : Ra1.6 ;
 4) UNITS : mm ;
 5) DIMENSIONS TOLERANCES
 DECIMALS : .x ±0.3 .xx ±0.2 .xxx±0.1;
 ANGLES : ± 5°.

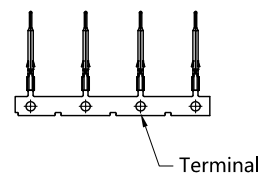
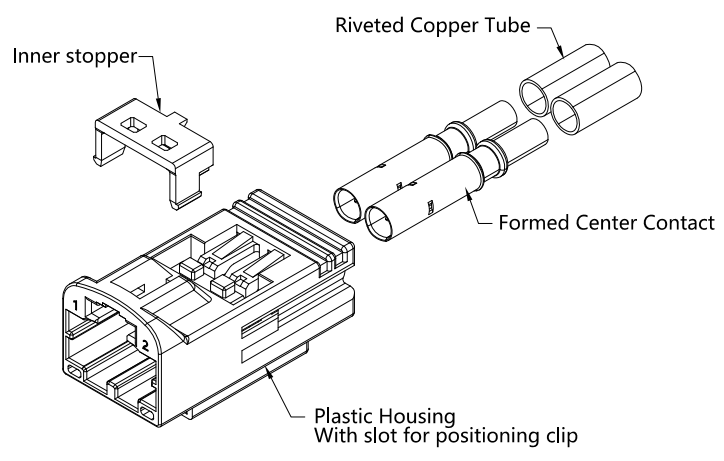
THIRD ANGLE PROJECTION	
APPROVED :	CUSTOMER P/N :
CHECKED :	SCALE :
DRAWING :	DATE :
PAGE : 1/2	

TITLE : MINI FAKRA MALE DOUBLE FOR RG174 CABLE
 DRAWING NO. : 5MK2M1*S-A02-100
 COMPANY WEBSITE : www.slkcorp.com

REV.	DESCRIPTION	ECN NO.	NAME	DATE
0	FIRST EDITION	N/A	Ming	2023-10-27



ALL PARTS MUST MEET TO RoHS REQUIREMENTS



Mechanical and Color Coding			
SLK P/N	Color	Coding	
5MK2M1AS-A02-100	Black	A	
5MK2M1BS-A02-100	White	B	
5MK2M1CS-A02-100	Blue	C	
5MK2M1DS-A02-100	Bordeaux Violet	D	
5MK2M1ES-A02-100	Green	E	
5MK2M1FS-A02-100	Brown	F	
5MK2M1ZS-A02-100	Water Blue	Z	

MATERIALS AND PLATING UNIT: MICRO-INCHES		
PART NAME	MATERIALS	PLATING
HOUSING	PA66 30%GF	N/A
INSULATOR	MPPOPA	N/A
OUTER CONTACT	PHOSPHOR BRONZE	PL. NICKEL/COPPER
CONTACT PIN	COPPER ALLOY	PL.GOLD /NICKEL/COPPER
TPA	PA66 30%GF	N/A
CABLE TYPE : RG174		

ELECTRICAL CHARACTERISTICS	
IMPEDANCE	50 Ω
VOLTAGE RATING	335 V(rms)
FREQUENCY RANGE	DC ~ 6 GHz
DIELECTRIC WITHSTANDING VOLTAGE	> 750 V
CONTACT RESISTANCE	CENTER CONTACT < 24 mΩ
	OUTER CONTACT < 5.0 mΩ
INSULATION RESISTANCE	> 1000 MΩ
INSERTION LOSS	< 0.15 * √ f GHz
VSWR	20dB,DC to 3GHz 16dB,DC to 6GHz
3RD INTERMODULATION	N/A

MECHANICAL CHARACTERISTICS	
MATING FORCE	≤ 60 N
DISENGAGEMENT FORCE	≥ 5N
CONNECTOR DISENGAGE WITH LOCK	≥ 110N
Durability	≥ 50 cycles

ENVIRONMENTAL PARAMETER	
TEMPERATURE RANGE	-40 °C ~ +105 °C

*** CUSTOMER OUTLINE DRAWING**

UNLESS OTHERWISE SPECIFIED: 1) EDGES : C0.15 MAX ; 2) REMOVE ALL BURRS ; 3) SURFACE ROUGHNESS : Ra1.6 ; 4) UNITS : mm ; 5) DIMENSIONS TOLERANCES DECIMALS : .x ±0.3 .xx ±0.2 .xxx±0.1; ANGLES : ± 5°.	THIRD ANGLE PROJECTION			
	APPROVED :	CUSTOMER P/N :		TITLE : MINI FAKRA MALE DOUBLE FOR RG174 CABLE
	CHECKED :	SCALE :	1 : 1	DRAWING NO. : 5MK2M1*S-A02-100
	DRAWING :	DATE :	2023-10-27	COMPANY WEBSITE : www.slkcorp.com
		PAGE : 2/2		