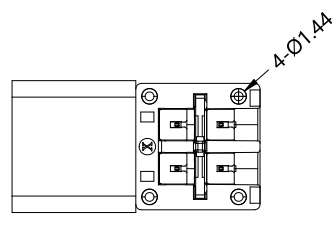
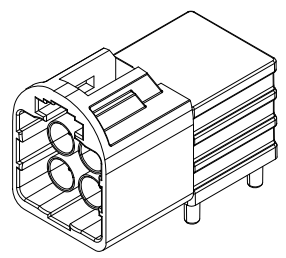
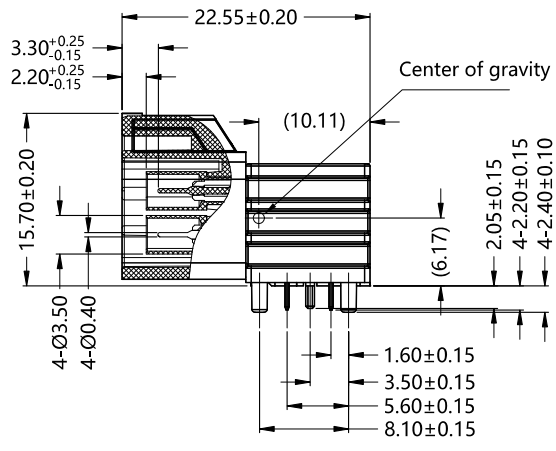
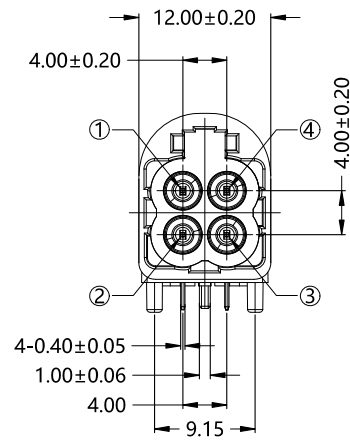


REV.	DESCRIPTION	ECN NO.	NAME	DATE
0	FIRST EDITION	N/A	Ming	2023-10-27



ALL PARTS MUST MEET TO RoHS REQUIREMENTS



MATERIALS AND PLATING		UNIT: MICRO-INCHES
PART NAME	MATERIALS	PLATING
BODY	ZINC ALLOY	TIN PLATING THICK 100u"
INSULATOR	LCP 30%GF	N/A
CONTACT PIN	BRASS	PL.GOLD / TIN /COPPER
SHELL	PA10T 30GF%	N/A

ELECTRICAL CHARACTERISTICS	
IMPEDANCE	50 Ω
VOLTAGE RATING	335 V(rms)
FREQUENCY RANGE	DC ~9 GHz
DIELECTRIC WITHSTANDING VOLTAGE	>750 V
CONTACT RESISTANCE	CENTER CONTACT
	OUTER CONTACT
INSULATION RESISTANCE	>1000 MΩ
INSERTION LOSS	<0.15 * √ f GHz
VSWR	<1.25 @ DC~3 GHz <1.35 @ 3~6 GHz <1.65 @ 6~9 GHz
3RD INTERMODULATION	N/A

MECHANICAL CHARACTERISTICS	
MATING FORCE	≤ 45 N
DISENGAGEMENT FORCE	≥5N
CONNECTOR DISENGAGE WITH LOCK	≥110N
Durability	≥50 cycles

ENVIRONMENTAL PARAMETER	
TEMPERATURE RANGE	-40 °C~+105 °C

* CUSTOMER OUTLINE DRAWING

UNLESS OTHERWISE SPECIFIED:
 1) EDGES : C0.15 MAX ;
 2) REMOVE ALL BURRS ;
 3) SURFACE ROUGHNESS : Ra1.6 ;
 4) UNITS : mm ;
 5) DIMENSIONS TOLERANCES
 DECIMALS : .x ±0.3 .xx ±0.2 .xxx±0.1;
 ANGLES : ± 5°.

THIRD ANGLE PROJECTION	
APPROVED :	CUSTOMER P/N :
CHECKED :	SCALE :
DRAWING :	DATE :
	PAGE : 1/2

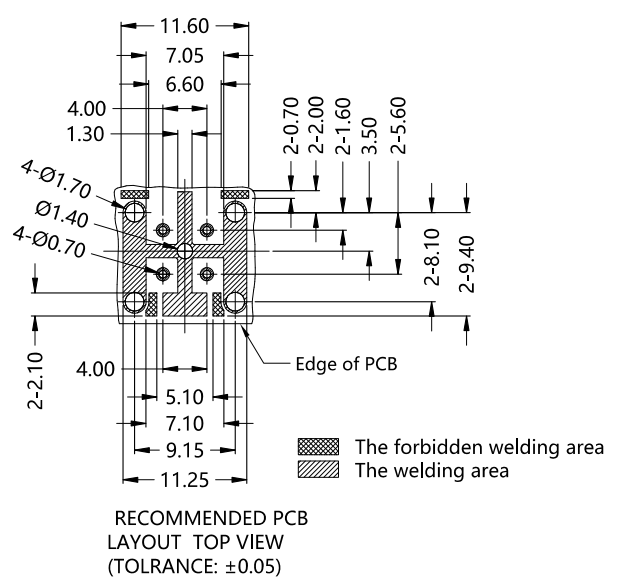
TITLE : MINI FAKRA PLUG QUAD R/A FOR PCB WITH HOUSING
 DRAWING NO. : 5MK4M2*R-P54-100
 COMPANY WEBSITE : www.slkcorp.com

REV.	DESCRIPTION	ECN NO.	NAME	DATE
0	FIRST EDITION	N/A	Ming	2023-10-27



ALL PARTS MUST MEET TO RoHS REQUIREMENTS

Mechanical and Color Coding		
SLK P/N	Color	Coding
5MK4M2AR-P54-100	Black	A
5MK4M2BR-P54-100	White	B
5MK4M2CR-P54-100	Blue	C
5MK4M2DR-P54-100	Bordeaux Violet	D
5MK4M2ER-P54-100	Green	E
5MK4M2FR-P54-100	Brown	F
5MK4M2ZR-P54-100	Water Blue	Z



MATERIALS AND PLATING		UNIT: MICRO-INCHES
PART NAME	MATERIALS	PLATING
BODY	ZINC ALLOY	TIN PLATING THICK 100u"
INSULATOR	HTN 15%GF	N/A
CONTACT PIN	BRASS	PL.GOLD / TIN /COPPER
SHELL	PA4T 30GF%	N/A

ELECTRICAL CHARACTERISTICS	
IMPEDANCE	50 Ω
VOLTAGE RATING	335 V(rms)
FREQUENCY RANGE	DC ~9 GHz
DIELECTRIC WITHSTANDING VOLTAGE	>750 V
CONTACT RESISTANCE	CENTER CONTACT <5.0 mΩ
	OUTER CONTACT <5.0 mΩ
INSULATION RESISTANCE	>1000 MΩ
INSERTION LOSS	<0.15 * √ f GHz
VSWR	<1.25 @ DC~3 GHz <1.35 @ 3~6 GHz <1.65 @ 6~9 GHz
3RD INTERMODULATION	N/A

MECHANICAL CHARACTERISTICS	
MATING FORCE	≤ 45 N
DISENGAGEMENT FORCE	≥5N
CONNECTOR DISENGAGE WITH LOCK	≥110N
Durability	≥50 cycles

ENVIRONMENTAL PARAMETER	
TEMPERATURE RANGE	-40 °C~+105 °C

* CUSTOMER OUTLINE DRAWING

UNLESS OTHERWISE SPECIFIED: 1) EDGES : C0.15 MAX ; 2) REMOVE ALL BURRS ; 3) SURFACE ROUGHNESS : Ra1.6 ; 4) UNITS : mm ; 5) DIMENSIONS TOLERANCES DECIMALS : .x ±0.3 .xx ±0.2 .xxx±0.1; ANGLES : ± 5°.	THIRD ANGLE PROJECTION		
	APPROVED :		CUSTOMER P/N : -
	CHECKED :	SCALE : 1 : 1	TITLE : MINI FAKRA PLUG QUAD R/A FOR PCB WITH HOUSING
	DRAWING :	DATE : 2023-10-27 PAGE : 2/2	DRAWING NO. : 5MK4M2*R-P54-100 COMPANY WEBSITE : www.slkcorp.com